



## Models

TF24-SR US  
TF24-SR-S US w/built-in Aux. Switch

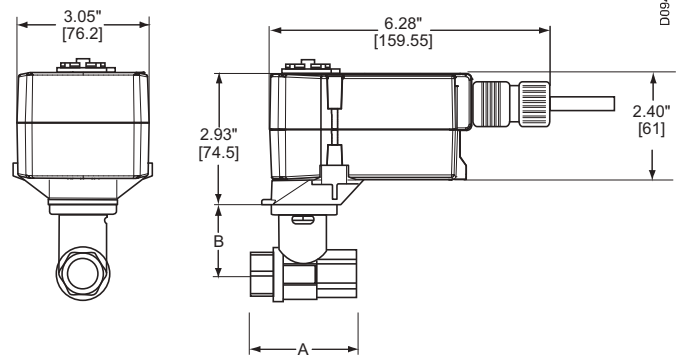
Technical Data	
Control	Proportional
Power supply	24 VAC ± 20%, 50/60 Hz 24 VDC ± 10%
Power consumption	running 2.5 W holding 1.0 W
Transformer sizing	4 VA (class 2 power source)
Electrical connection (-S models have 2 cables)	½" conduit connector 18 GA appliance cable TF24-SR US 3 ft [1m] TF24-SR /300 US 10 ft [3m] TF24-SR /500 US 16 ft [5m]
Electrical protection	actuators are double insulated
Overload protection	electronic throughout 0° to 95° rotation
Operating range Y	2 to 10 VDC, 4 to 20 mA
Input impedance	100k Ω (0.1mA), 500 Ω
Angle of rotation	95°
Direction of rotation	spring reversible with CW/CCW mounting motor reversible with built-in switch
Position indication	visual indicator, 0° to 95°
Running time	motor 95 sec constant, independent of load spring <25 sec @ -4°F to 122°F [-20°C to 50°C] <60 sec @ -22°F [-30°C]
Humidity	5 to 95% RH non-condensing
Ambient temperature	-22°F to 122°F [-30°C to 50°C]
Storage temperature	-40°F to 176°F [-40°C to 80°C]
Housing	NEMA type 2/IP42
Housing material	UL94 - 5VA
Agency listings†	cULus acc. to UL 60730-1A/-2-14, CAN/CSA E60730-1, CSA C22.2 No. 24-93, CE acc. to 89/336/EEC (and 2006/95/EC for line voltage and/or -S versions)
Noise level (max)	running <35 db (A) spring return <62 db (A)
Quality standard	ISO 9001

## TF24-SR-S US

Auxiliary switch 1 x SPDT, 3A (0.5A) @ 250 VAC, UL Listed, adjustable 0° to 95°

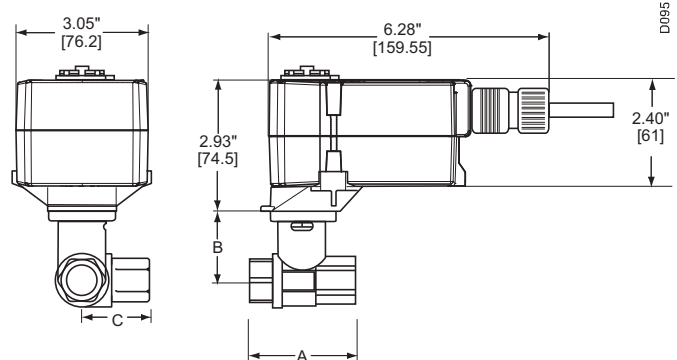
† Rated impulse voltage 800V (4kV for 120V model), Control pollution degree 3, Type of action 1.AA (1.AA.B for -S models)

## Dimensions with 2-Way Valve



Valve Body	Valve Nominal Size		Dimensions (Inches [mm])	
	Inches	DN [mm]	A	B
B207(B)-B211(B)	½"	15	2.41" [61.1]	1.39" [35.2]
B212(B)-B215(B)	½"	15	2.38" [60.4]	1.72" [43.7]
B217(B)-B220(B)	¾"	20	2.73" [69.3]	1.81" [45.9]

## Dimensions with 3-Way Valve



Valve Body	Valve Nominal Size		Dimensions (Inches [mm])		
	Inches	DN [mm]	A	B	C
B307(B)-B311(B)	½"	15	2.41" [61.1]	1.39" [35.2]	1.20" [30.6]
B312(B)-B315(B)	½"	15	2.38" [60.4]	1.72" [43.7]	1.26" [32.1]
B317(B)-B320(B)	¾"	20	2.73" [69.3]	1.81" [45.9]	1.45" [36.8]

**Wiring Diagrams**

**INSTALLATION NOTES**

- 2** **CAUTION Equipment damage!**  
Actuators may be connected in parallel. Power consumption and input impedance must be observed.
- 4** Up to 4 actuators may be connected in parallel. With 4 actuators wired to one 500 Ω resistor, a +2% shift of control signal may be required. Power consumption must be observed.
- 3** Actuators may also be powered by 24 VDC.
- 5** Only connect common to neg. (—) leg of control circuits.
- 6** Actuators with plenum rated cable do not have numbers on wires; use color codes instead.
- 7** For end position indication, interlock control, fan startup, etc., TF24-SR-S US incorporates one built-in auxiliary switch: 1 x SPDT, 3A (0.5A ) @250 VAC, UL listed, adjustable 0° to 95°.

**APPLICATION NOTES**

- ◆ Meets cULus or UL and CSA requirements without the need of an electrical ground connection.

**WARNING Live Electrical Components!**  
During installation, testing, servicing and troubleshooting of this product, it may be necessary to work with live electrical components. Have a qualified licensed electrician or other individual who has been properly trained in handling live electrical components perform these tasks. Failure to follow all electrical safety precautions when exposed to live electrical components could result in death or serious injury.

