



Models

TF24-3 US
TF24-3-S US w/built-in Aux. Switch

Technical Data

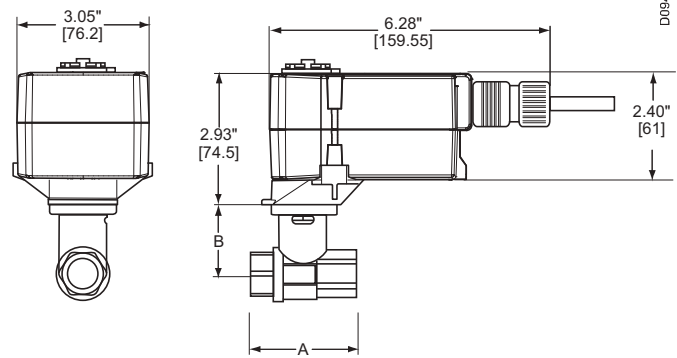
Control	Floating
Power supply	24VAC ± 20%, 50/60Hz
Power consumption	running 2.5 W holding 1.0 W
Transformer sizing	4 VA (class 2 power source)
Electrical connection	½" conduit connector 18 GA appliance cable
	TF24-3 US 3 ft [1m] TF24-3 /300 US 10 ft [3m] TF24-3 /500 US 16 ft [5m]
Overload protection	electronic throughout 0° to 95° rotation
Input impedance	1000 Ω (0.6w) control inputs
Angle of rotation	95°
Torque	min. 18 in-lb [2 Nm]
Direction of rotation	spring reversible with CW/CCW mounting motor reversible with built-in switch
Position indication	visual indicator, 0° to 95°
Running time	motor 95 sec constant, independent of load spring <25 sec @ -4°F to 122°F [-20°C to 50°C] <60 sec @ -22°F [-30°C]
Humidity	5 to 95% RH non-condensing
Ambient temperature	-22°F to 122°F [-30°C to 50°C]
Storage temperature	-40°F to 176°F [-40°C to 80°C]
Housing	NEMA type 2/IP42
Housing material	UL94 - 5VA
Agency listings†	cULus acc. to UL60730-1A/-2-14, CAN/CSA E60730-1, CSA C22.2 No. 24-93, CE acc. to 89/336/EEC
Noise level (max)	running <35 db (A) spring return 62 db (A)
Quality standard	ISO 9001

TF24-3-S US

Auxiliary switch	1 x SPDT, 3A (0.5A) @ 250 VAC, UL Listed, adjustable 0° to 95°
------------------	--

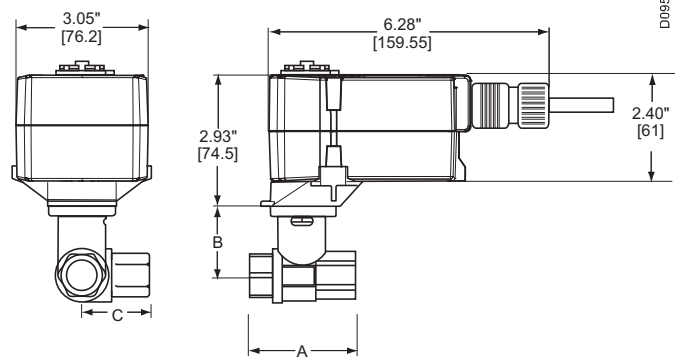
† Rated impulse voltage 800V (4kV for 120V model), Control pollution degree 3, Type of action 1.AA (1.AA.B for -S models)

Dimensions with 2-Way Valve



Valve Body	Valve Nominal Size		Dimensions (Inches [mm])	
	Inches	DN [mm]	A	B
B207(B)-B211(B)	½"	15	2.41" [61.1]	1.39" [35.2]
B212(B)-B215(B)	½"	15	2.38" [60.4]	1.72" [43.7]
B217(B)-B220(B)	¾"	20	2.73" [69.3]	1.81" [45.9]

Dimensions with 3-Way Valve



Valve Body	Valve Nominal Size		Dimensions (Inches [mm])		
	Inches	DN [mm]	A	B	C
B307(B)-B311(B)	½"	15	2.41" [61.1]	1.39" [35.2]	1.20" [30.6]
B312(B)-B315(B)	½"	15	2.38" [60.4]	1.72" [43.7]	1.26" [32.1]
B317(B)-B320(B)	¾"	20	2.73" [69.3]	1.81" [45.9]	1.45" [36.8]

Wiring Diagrams

INSTALLATION NOTES

- CAUTION Equipment damage!**
Actuators may be connected in parallel. Power consumption and input impedance must be observed.
- The common connection from the actuator must be connected to the Hot connection of the controller.
- The actuator Hot must be connected to the control board common.
- For end position indication, interlock control, fan startup, etc., TF24-3-S US incorporates one built-in auxiliary switch: 1 x SPDT, 3A (0.5A) @250 VAC, UL listed, adjustable 0° to 95°.
- Actuators with plenum rated cable do not have numbers on wires; use color coded instead. Actuators with appliance rated cable use numbers.

APPLICATION NOTES

- Meets cULus or UL and CSA requirements without the need of an electrical ground connection.
- WARNING Live Electrical Components!**
During installation, testing, servicing and troubleshooting of this product, it may be necessary to work with live electrical components. Have a qualified licensed electrician or other individual who has been properly trained in handling live electrical components perform these tasks. Failure to follow all electrical safety precautions when exposed to live electrical components could result in death or serious injury.

