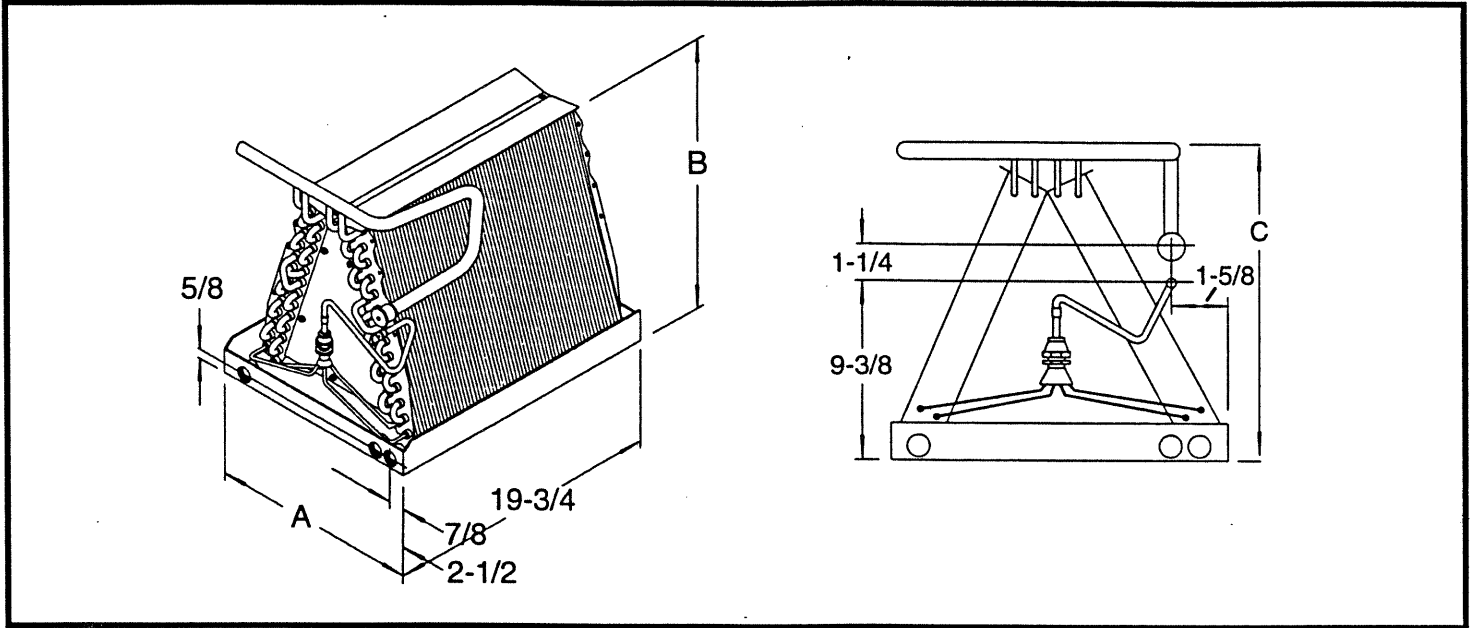


DIMENSIONS



EEA COILS

Model No.	Dimensions (inches)			Weights		Refrigerant Control	Connection Sweat	
	A	B	C	Net	Shpg.		Liq. OD	Suc. OD
EEA24B15A	14-3/4	10-1/2	13-1/2	14	18	.053	5/16	3/4
EEA36F19A	18-1/8	16-1/8	-	22	26	.065	5/16	3/4
EEA48F19A	18-1/8	18-1/2	-	30	34	.078	3/8	7/8
EEA60J22A	21-7/8	21-7/8	-	40	48	.079	3/8	7/8

AIRFLOW PERFORMANCE DATA (CFM vs DRY WET STATIC @ INCHES WATER COLUMN)

MODEL NUMBER	AIRFLOW PERFORMANCE DATA (CFM vs DRY WET STATIC @ INCHES WATER COLUMN)																									
	500		600		700		800		900		1000		1100		1200		1300		1400		1500		1600		1700	
	Dry	Wet	Dry	Wet	Dry	Wet	Dry	Wet	Dry	Wet	Dry	Wet	Dry	Wet	Dry	Wet	Dry	Wet	Dry	Wet	Dry	Wet	Dry	Wet	Dry	Wet
EEA24B15	.09	.12	.13	.16	.18	.20	.23	.26	.28	.32																
EEA36F19							.13	.17	.16	.20	.19	.24	.22	.28	.26	.33										
EEA48F19										.21	.27	.25	.32	.29	.37	.33	.43	.33	.49							
EEA60J22														.21	.25	.24	.28	.28	.33	.31	.37	.35	.42	.38	.46	

ACCESSORIES

MODEL NUMBER	DESCRIPTION / USE WITH
AMF153TKB	TXV Kit, 2 - 3 Ton
AMF355TKB	TXV Kit, 3 1/2 - 5 Ton

SPECIFICATIONS SUBJECT TO CHANGE WITHOUT NOTICE