



INSTALLATION INSTRUCTIONS MODULATING HBREP ECONOMIZER 010-225002-024 / 010-225002-048

Economizers are used with 2-5 ton units for automatic sensor-controlled introduction of outdoor air into the system through an electro-mechanically controlled damper.

Part#	Unit Model
010-225002-024	24/36 HBREP
010-225002-048	48/60 HBREP

Step 1:

Check for correct number of parts. See list below.

- 1 ea. - Economizer Assembly
- 1 ea. - Bag Hardware

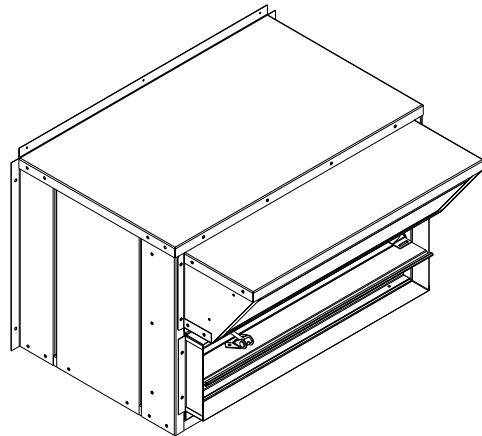


Figure 1

Step 2:

Disconnect all power to unit.

Step 3:

Remove return air access panel from unit and rear access panel(s) if applicable as shown in **Figure 2**.

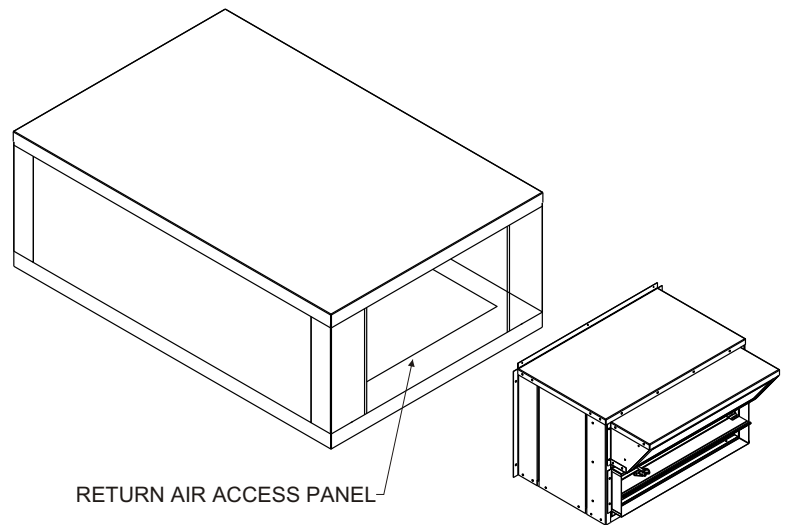


Figure 2

Step 4:

Center Economizer assembly over return opening. Slide economizer assembly fully into unit and secure with the supplied #10 - 16 x 1/2 screws. **See Figure 3.**

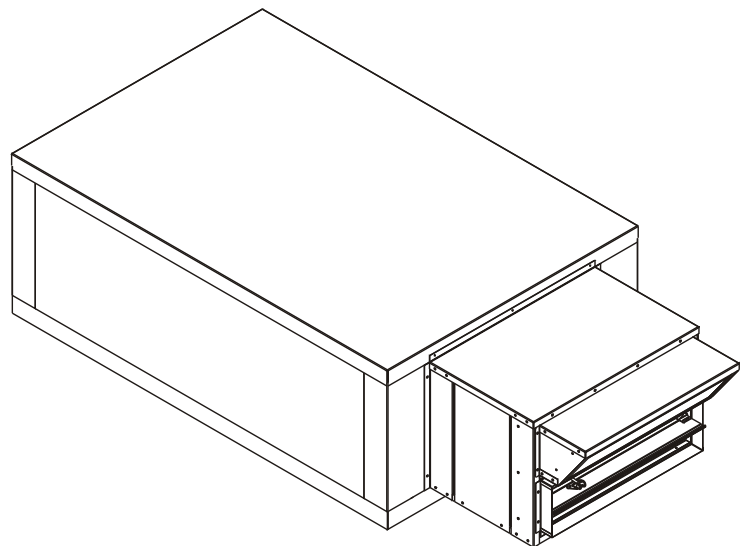


Figure 3

Step 5:

Relocate mixed air sensor (**See Figure 4**) to near the blower inlet. Route wire through unit to terminal block by damper motor.

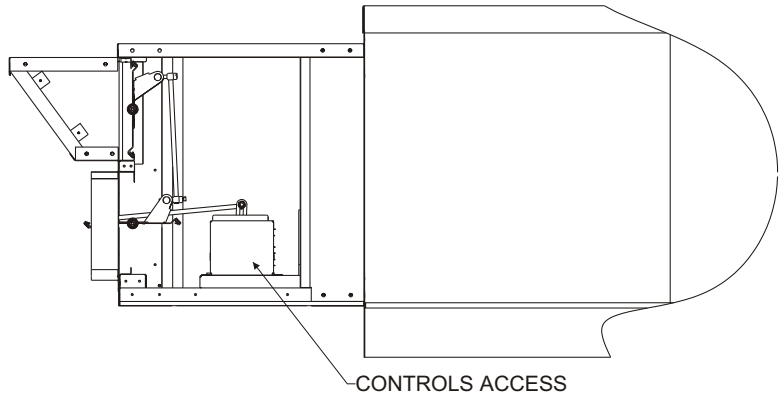


Figure 4

Step 6:

If the barometric relief is to be installed cut a A" x B" hole in the return air duct near Economizer. **See Figure 5.**

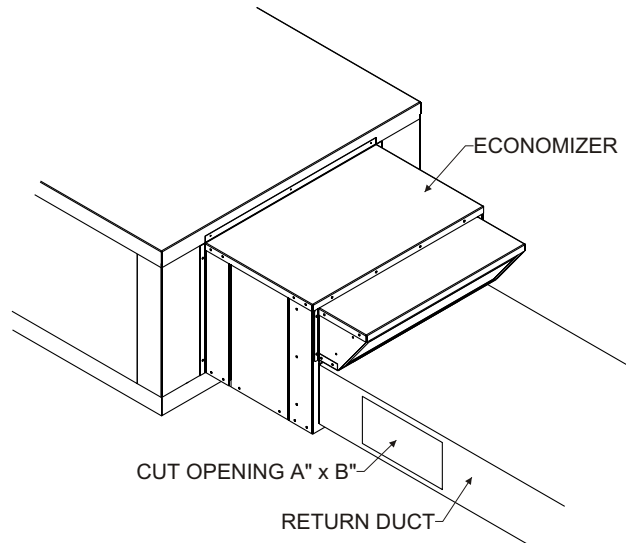


Figure 5

Step 7:

Secure pressure relief damper near Economizer over hole in return air duct using (4) screws. **See Figure 6.**

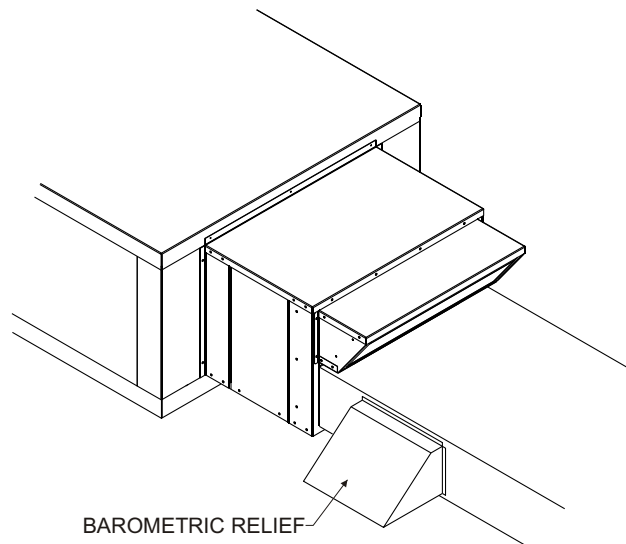
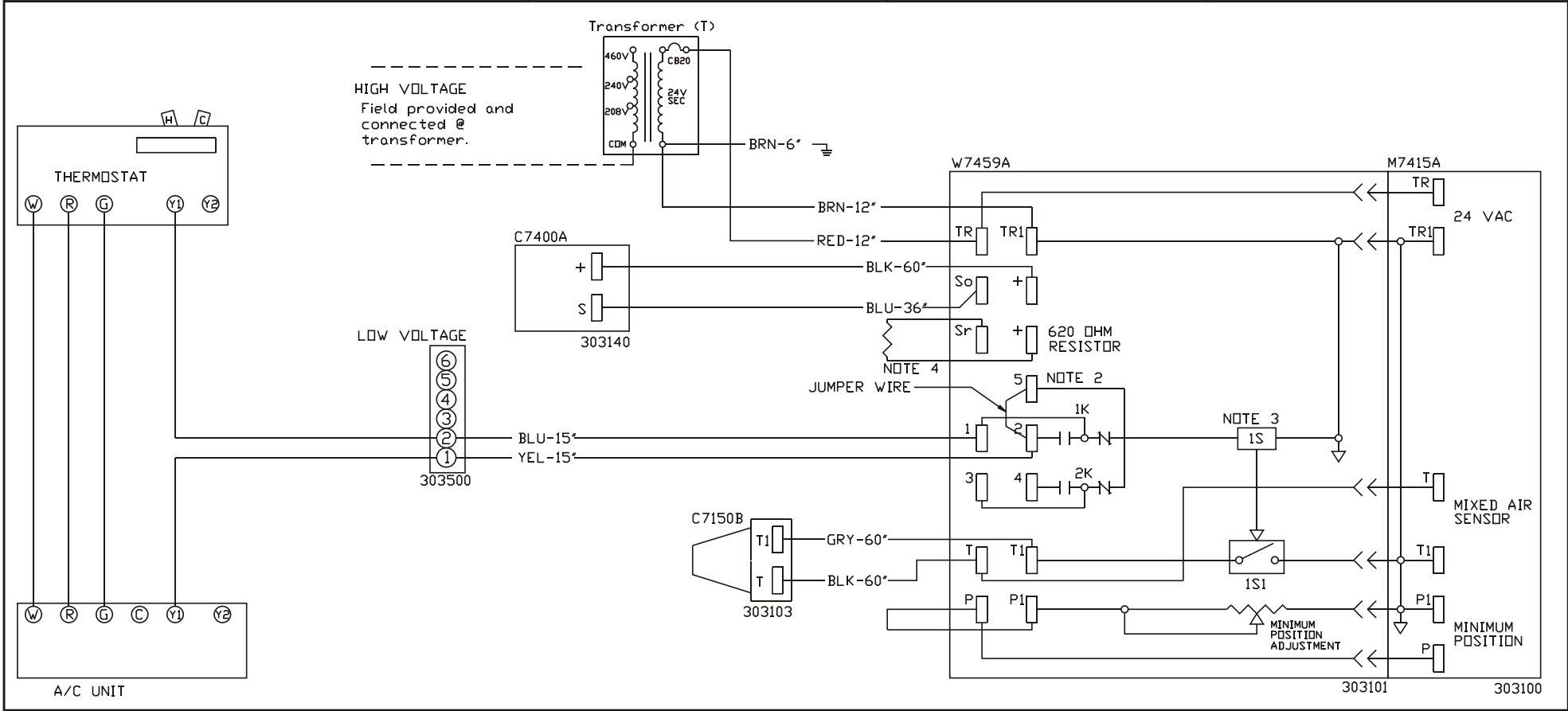


Figure 6

Step 8:

Replace all panels and restore power to the unit.

HARNES DETAIL	COMPONENT CODE	WIRE COLOR CODE	Revision	Change	Date
			A	Added Ground Wire	10-10-05



Notes:

- Unit wiring shown as reference only. Check unit wiring for actual unit wiring.
- Relays 1K and 2K actuate when the Outdoor Air Enthalpy is higher than the Return Air Enthalpy.
- 1S is an electronic switch which closes when powered by a 24 VAC input.
- Factory installed resistor should be removed only if C7400 differential enthalpy sensor is added.

**Modulating Horizontal Economizer
for 024-060 HBREP Magic Air Unit**

Magic Aire 501 Galveston Street Wichita Falls, TX 76301 Phone (940) 397-2100 Fax (940) 397-2166	Date: October 10, 2005
	Supersedes: 08-01-05
	Drawn by:
	Unit # 010-225002-***
Diagram# 32401W	