

H-Series Physical Data

Model H-Series HXB/HWB	Unit Size					
	08	12	16	20	30	40
Nominal Capacity (tons)	2.0	3.0	4.0	5.0	7.5	10.0
Nominal CFM	800	1200	1600	2000	3000	4000
Coils - Direct Expansion (DX)						
Face - Finned Height x Finned Length	16 x 18	16 x 27.5	20 x 30	24 x 30	24 x 40	24 x 60
Face Area - DX (sqft)	2.00	3.06	4.17	5.00	6.67	10.00
FPI - DX	12	12	12	12	12	12
Tube Dia (OD)	3/8	3/8	3/8	3/8	3/8	3/8
No of Rows - DX	4	4	4	4	4	4
Coil Volume (cu in)	48.7	74.3	101.4	121.7	162.2	243.3
Coils - Hydronic						
Face - Finned Height x Finned Length	16 x 18	16 x 27.5	20 x 30	24 x 30	22.5 x 40	22.5 x 60
FaceArea - Hydronic (sqft)	2.00	3.06	4.17	5.00	6.25	9.38
FPI - Hydronic	12	12	12	12	12	12
Tube Dia (OD)	3/8	3/8	3/8	3/8	1/2	1/2
No of Rows - Hydronic	4	4	4	4	4	4
Coil Volume (cu in)	48.7	74.3	101.4	121.7	216.0	324.0
Coil Connections (in)						
Hydronic: Supply & Return (Swt-OD)	0.875	0.875	1.125	1.125	1.625	1.625
DX-Single Circuit: Liquid/Suction (Swt-OD)	0.5/0.75	0.5/0.75	0.5/0.875	0.5/1.125	0.625/1.125	0.625/1.375
DX-Dual Circuit: Circuit #1 Liquid/Suction (Swt-OD) Circuit #2 Liquid/Suction (Swt-OD) Nozzle Size/Qty.	N/A				0.5/0.875 0.5/0.875 R-22:#3/2ea R- 410A:#2.5/2ea	0.5/1.125 0.5/1.125 R-22:#4/2ea R-410A:#4/2ea
Condensate Drain Line (in)						
Primary	3/4 FPT					
Secondary						
Approximate Weight (lb)						
DX Coil Only	14.5	20.1	28.1	33.3	43.4	64.0
DX Coil and Cabinet	65.0	67.0	70.0	68.0	128.0	172.0
Hydronic Coil Only (includes water wt)	26.3	37.1	52.1	63.5	99.4	141.0
Hydronic Coil and Cabinet (includes water weight)	61.0	79.0	99.0	114.0	184.0	249.0
Unit Dimensions (in)						
Cabinet Panel-sheet metal gauge	19 ga.					
Height	19.9	19.9	23.7	27.9	28.3	28.3
Width	26.1	35.6	38.1	38.1	48.0	68.0
Depth (direction of airflow)	10.9	10.9	10.9	10.9	12.8	12.8
Thermal Expansion Valve						
Refrigerant	R-22 or R-410A (must specify using product nomenclature)					
R-410A TXV Type - Single Circuit	2-Ton, 3-Ton 4-Ton and 5-Ton TXV's: Chatleff connection, internal check valve bi-flow, balanced port, with 3/8" Chatleff threaded refrigerant distributor, externally equalized. Ready for operation in heat pump mode.				8-Ton, 12.5-Ton, solder connections, non-biflow, balanced port, no bleed, externally equalized. Heat Pump Kit required for operation in heat pump mode.	
R-410A TXV Type - Dual Circuit	2-Ton, 3-Ton 4-Ton and 5-Ton TXV's: Chatleff connection, internal check valve bi-flow, balanced port, with 3/8" Chatleff threaded refrigerant distributor, externally equalized. Ready for operation in heat pump mode.				4-Ton, 5-Ton, solder connections, internal check valve bi-flow, balanced port, no bleed, externally equalized. Ready for operation in heat pump mode.	

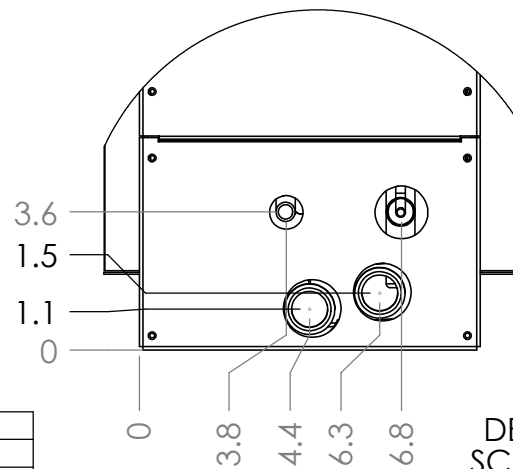
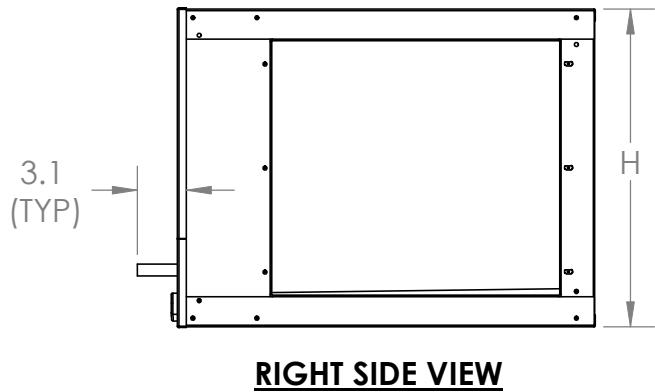
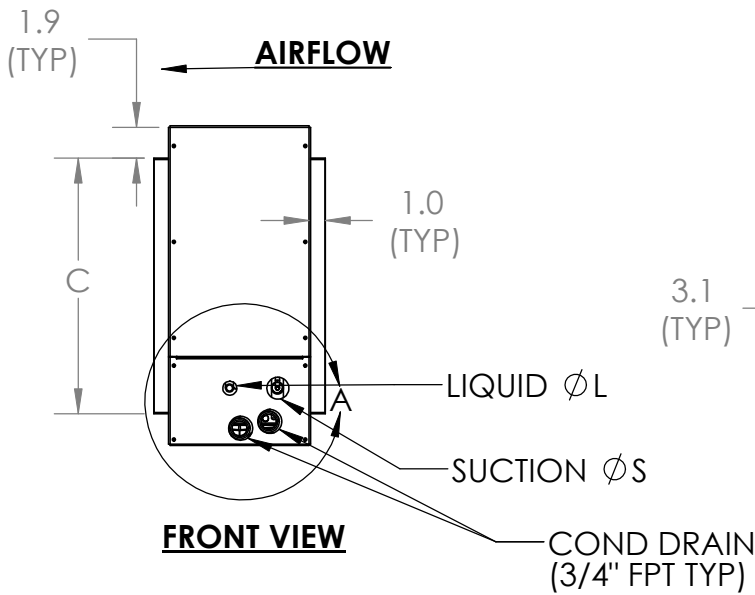
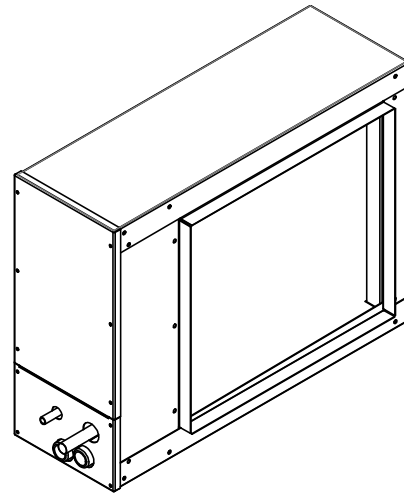
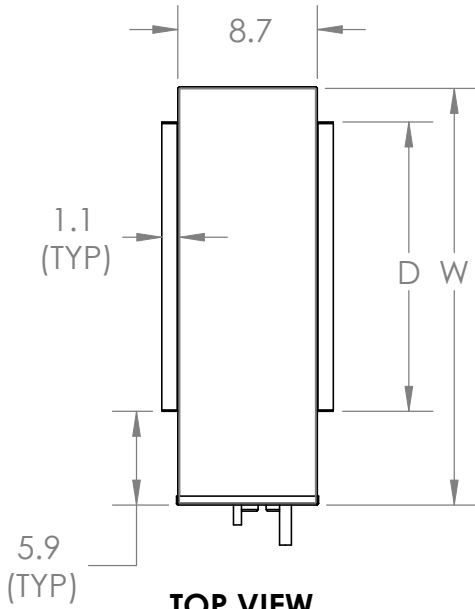
Air Pressure Drop

H-Series Model HXB

Model	Airflow (CFM)	Face Velocity (FPM)	APD (in w.g.)	Model	Airflow (CFM)	Face Velocity	APD (in w.g.)
HXBA08 (Face Area 2.00SF)	600	300	0.24	HXBA20 (Face Area 5.00SF)	1500	300	0.24
	640	320	0.27		1575	315	0.26
	680	340	0.30		1650	330	0.28
	720	360	0.33		1725	345	0.31
	760	380	0.36		1800	360	0.33
	800	400	0.40		1750	350	0.31
	840	420	0.43		1825	365	0.34
	880	440	0.47		1900	380	0.36
	920	460	0.50		1975	395	0.39
	960	480	0.54		2050	410	0.41
	1000	500	0.58		2125	425	0.44
HXBA12 (Face Area 3.06SF)	900	294	0.23	HXBA30 (Face Area 6.67SF)	2250	337	0.30
	930	304	0.25		2325	349	0.31
	960	314	0.26		2400	360	0.33
	990	324	0.27		2475	371	0.35
	1020	333	0.29		2550	382	0.37
	1050	343	0.30		2625	394	0.38
	1080	353	0.32		2700	405	0.40
	1110	363	0.33		2775	416	0.42
	1140	373	0.35		2850	427	0.44
	1170	382	0.37		2925	439	0.46
	1200	392	0.38		3000	450	0.48
HXBA16 (Face Area 4.17SF)	1200	288	0.23	HXBA40 (Face Area 10.00SF)	3000	300	0.24
	1240	297	0.24		3100	310	0.26
	1280	307	0.25		3200	320	0.27
	1320	317	0.26		3300	330	0.28
	1360	326	0.28		3400	340	0.30
	1400	336	0.29		3500	350	0.31
	1440	345	0.31		3600	360	0.33
	1480	355	0.32		3700	370	0.35
	1520	365	0.34		3800	380	0.36
	1560	374	0.35		3900	390	0.38
	1600	384	0.37		4000	400	0.40

NOTES:

1. All values are in inches wc.
2. All pressure drops are with dry coil.



UNIT	DUCT DIM		CONN SIZE (OD)		OVERALL DIM	
	C	D	L	S	H	W
HXB-08	16.0	18.1	0.5	0.75	19.9	26.1
HXB-12	16.0	27.6	0.5	0.75	19.9	35.6
HXB-16	19.7	30.1	0.5	0.875	23.7	38.1
HXB-20	24.0	30.1	0.5	1.125	27.9	38.1

NOTE:

ALL DIMENSIONS ARE IN INCHES.

CODE NO.

CATALOG NO.

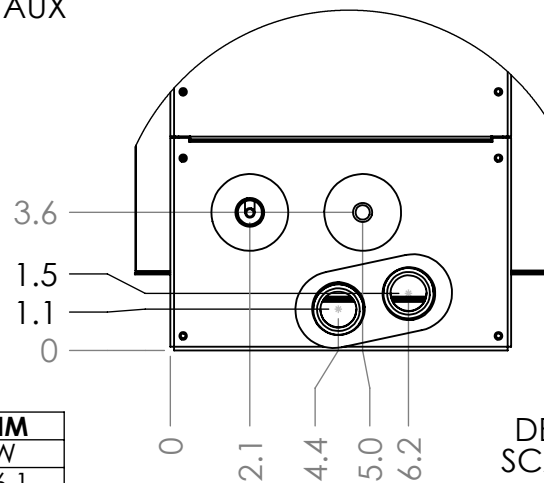
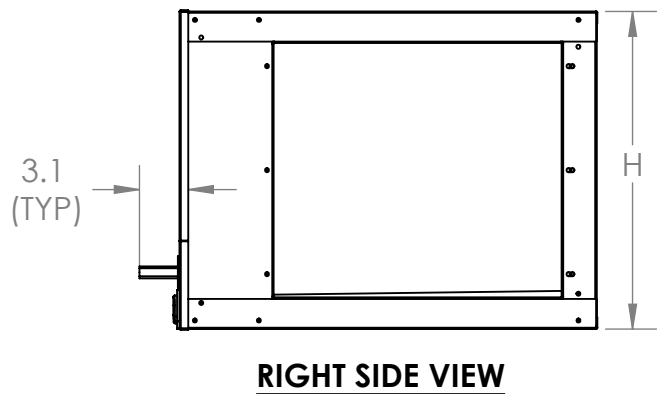
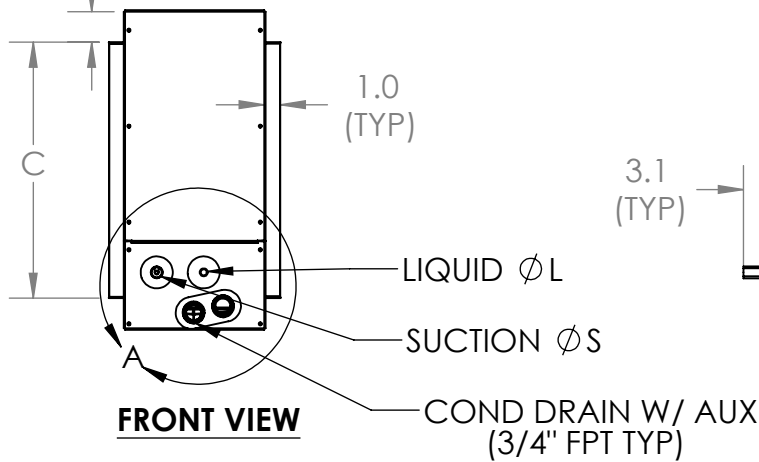
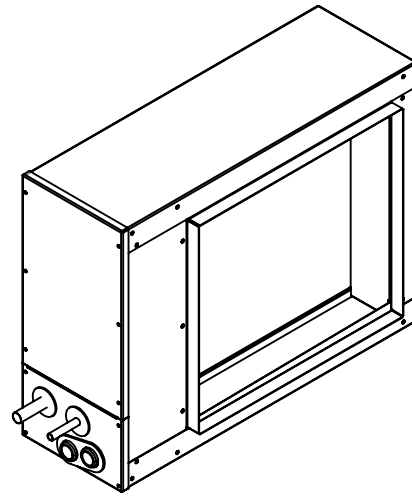
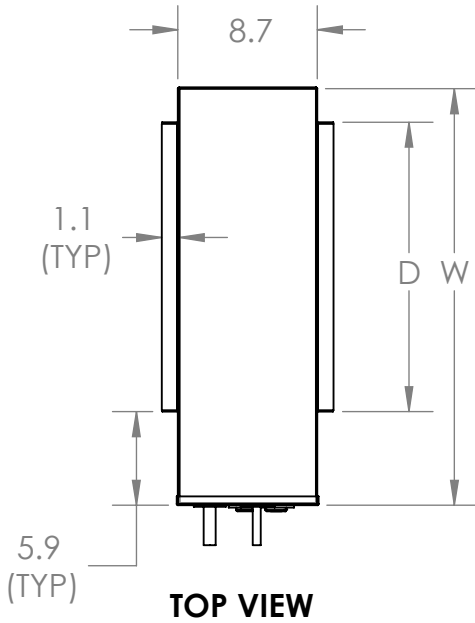
Magic Aire®

THIS DOCUMENT IS THE PROPERTY OF UNITED ELECTRIC CO. LP AND IS DELIVERED UPON THE EXPRESS CONDITION THAT THE CONTENTS WILL NOT BE DISCLOSED OR USED WITHOUT UNITED ELECTRIC CO. LP'S WRITTEN CONSENT.

SUBMISSION OF THESE DRAWINGS OR DOCUMENTS DOES NOT CONSTITUTE PART PERFORMANCE OR ACCEPTANCE OF CONTRACT.

HXB08-20
RIGHT HAND CONNECTION
UNIT OUTLINE

HXB



UNIT	DUCT DIM		CONN SIZE (OD)		OVERALL DIM	
	C	D	L	S	H	W
HXB-08	16.0	18.1	0.5	0.75	19.9	26.1
HXB-12	16.0	27.6	0.5	0.75	19.9	35.6
HXB-16	19.7	30.1	0.5	0.875	23.7	38.1
HXB-20	24.0	30.1	0.5	1.125	27.9	38.1

NOTE:

ALL DIMENSIONS ARE IN INCHES.

PRODUCT INFORMATION IS SUBJECT TO CHANGE WITHOUT NOTICE

JOB NAME JOB # BUYER BUYER # LOCATION

DRAWING NO. **HXB-101** REV

CODE NO.

CATALOG NO.

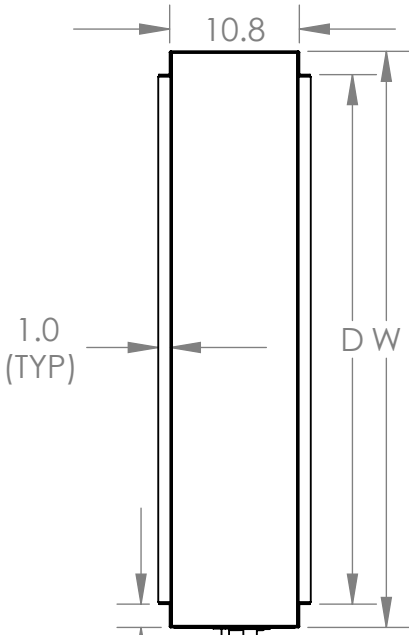
Magic Aire®

THIS DOCUMENT IS THE PROPERTY OF UNITED ELECTRIC CO. LP AND IS DELIVERED UPON THE EXPRESS CONDITION THAT THE CONTENTS WILL NOT BE DISCLOSED OR USED WITHOUT UNITED ELECTRIC CO. LP'S WRITTEN CONSENT.

SUBMISSION OF THESE DRAWINGS OR DOCUMENTS DOES NOT CONSTITUTE PART PERFORMANCE OR ACCEPTANCE OF CONTRACT.

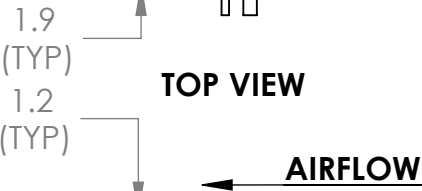
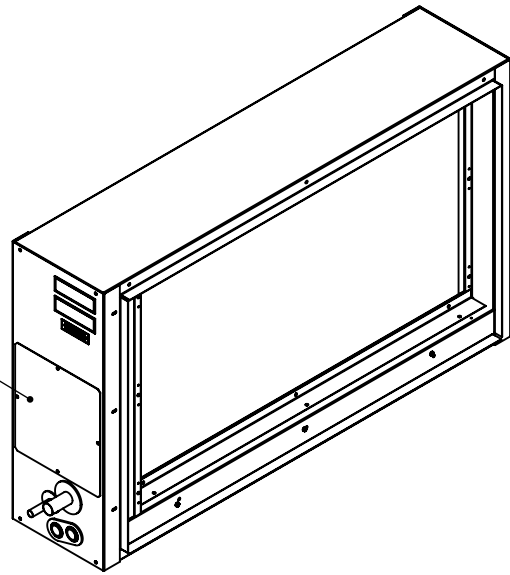
HXB30/40
LEFT HAND CONNECTION
UNIT OUTLINE

HXB



TOP VIEW

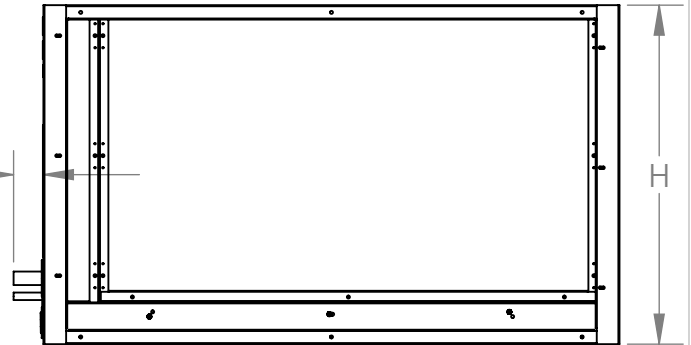
TXV ACCESS DOOR



FRONT VIEW

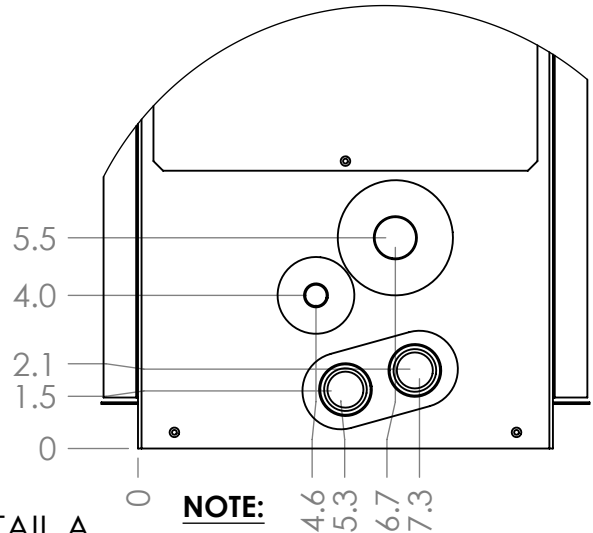
1.0 (TYP)

2.5 (TYP)



RIGHT SIDE VIEW

SUCTION \varnothing S
LIQUID \varnothing L
COND DRAIN W/AUX
(3/4 FPT TYP)



DETAIL A
SCALE 1 : 5

NOTE:
ALL DIMENSIONS ARE IN INCHES.

UNIT	DUCT DIM		CONN SIZE (OD)		OVERALL DIM	
	C	D	L	S	H	W
HXB-30	25.9	44.1	0.625	1.125	28.3	48.0
HXB-40	25.9	64.1	0.625	1.375	28.3	68.0

PRODUCT INFORMATION IS SUBJECT TO CHANGE WITHOUT NOTICE

JOB NAME JOB # BUYER BUYER # LOCATION

DRAWING NO. **HXB-102** REV -

CODE NO.

CATALOG NO.

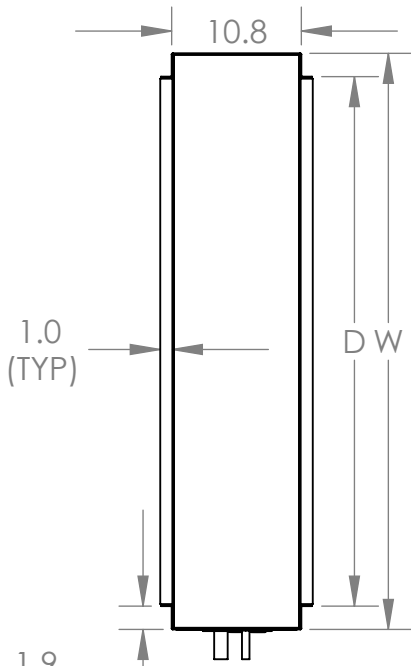
Magic Aire

THIS DOCUMENT IS THE PROPERTY OF UNITED ELECTRIC CO. LP AND IS DELIVERED UPON THE EXPRESS CONDITION THAT THE CONTENTS WILL NOT BE DISCLOSED OR USED WITHOUT UNITED ELECTRIC CO. LP'S WRITTEN CONSENT.

SUBMISSION OF THESE DRAWINGS OR DOCUMENTS DOES NOT CONSTITUTE PART PERFORMANCE OR ACCEPTANCE OF CONTRACT.

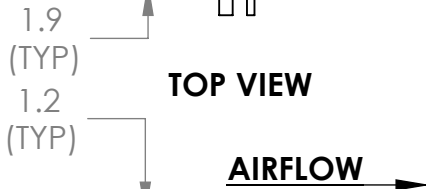
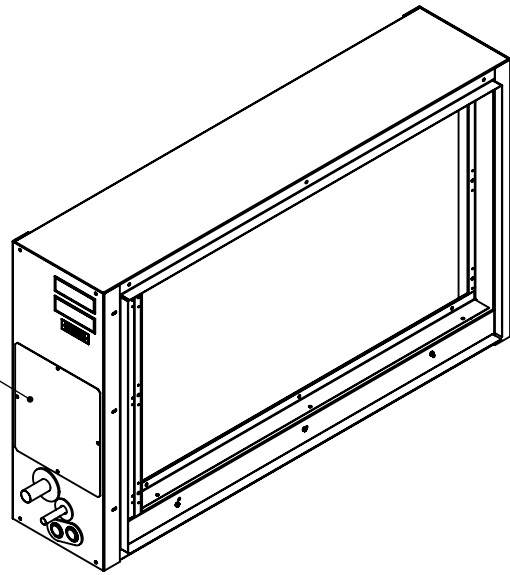
HXB30/40
RIGHT HAND CONNECTION
UNIT OUTLINE

HXB



TOP VIEW

TXV ACCESS DOOR



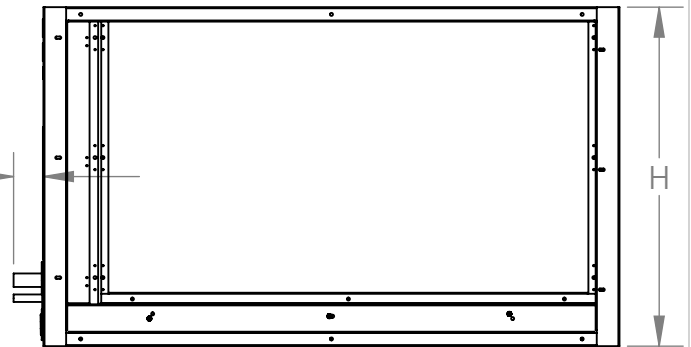
FRONT VIEW

1.0 (TYP)

SUCTION ϕ S
LIQUID ϕ L

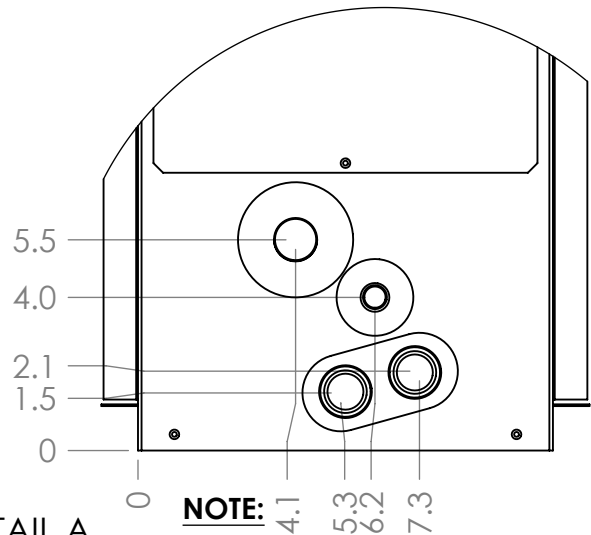
COND DRAIN W/AUX
(3/4 FPT TYP)

2.5 (TYP)



RIGHT SIDE VIEW

UNIT	DUCT DIM		CONN SIZE (OD)		OVERALL DIM	
	C	D	L	S	H	W
HXB-30	25.9	44.1	0.625	1.125	28.3	48.0
HXB-40	25.9	64.1	0.625	1.375	28.3	68.0



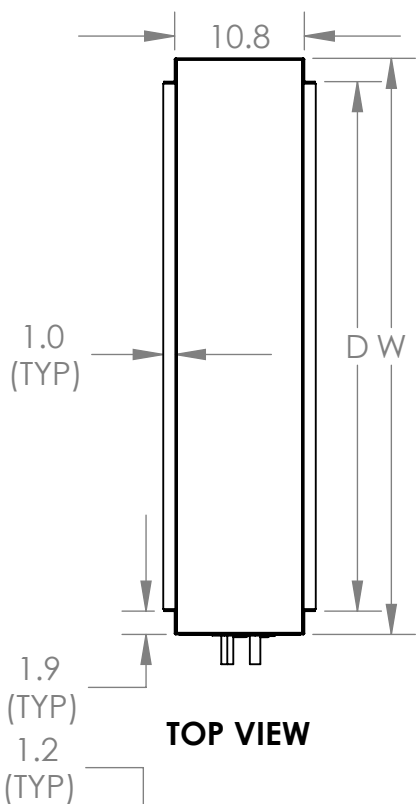
DETAIL A
SCALE 1 : 5

NOTE: ALL DIMENSIONS ARE IN INCHES.

PRODUCT INFORMATION IS SUBJECT TO CHANGE WITHOUT NOTICE

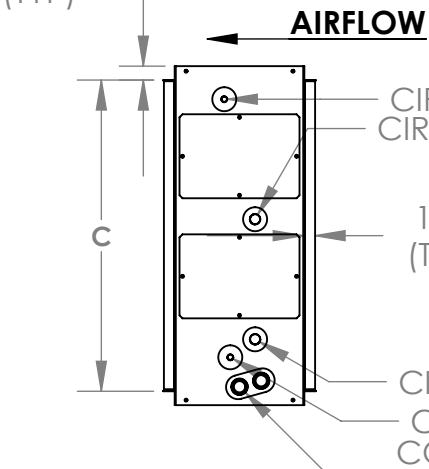
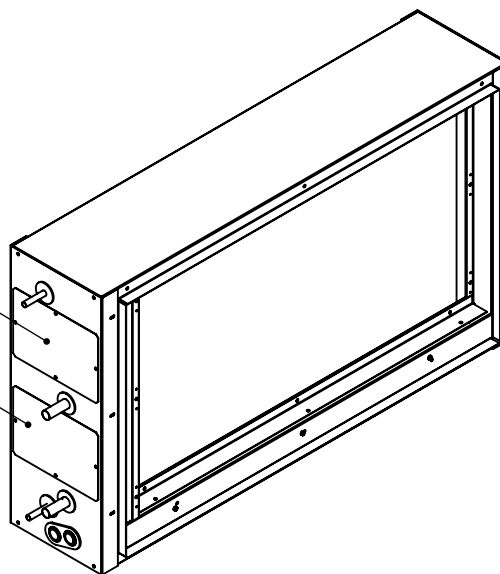
JOB NAME JOB # BUYER BUYER # LOCATION

DRAWING NO.
HXB-103 REV
-

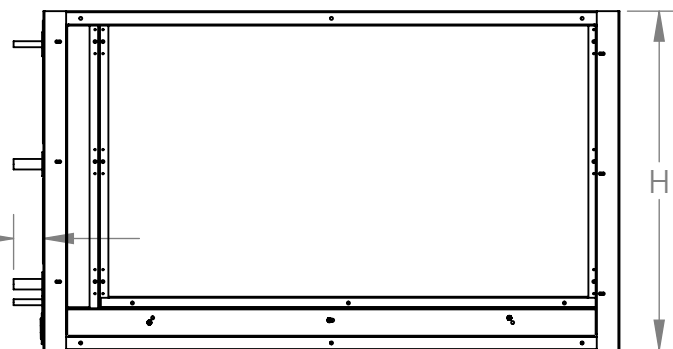


TOP VIEW

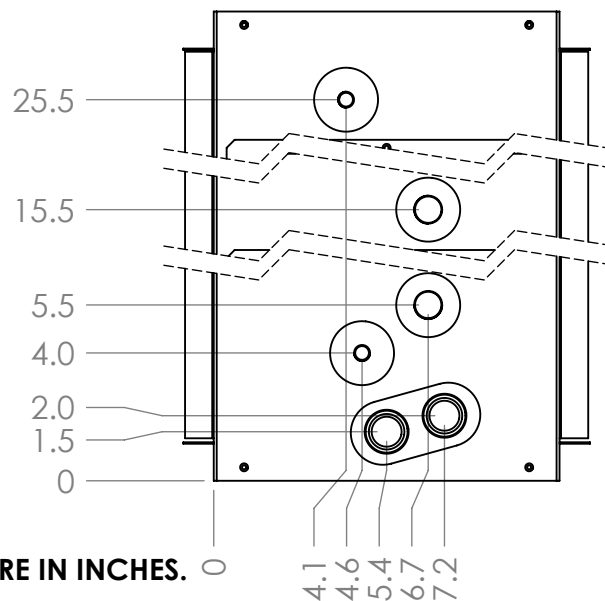
TXV ACCESS DOOR
TXV ACCESS DOOR



FRONT VIEW



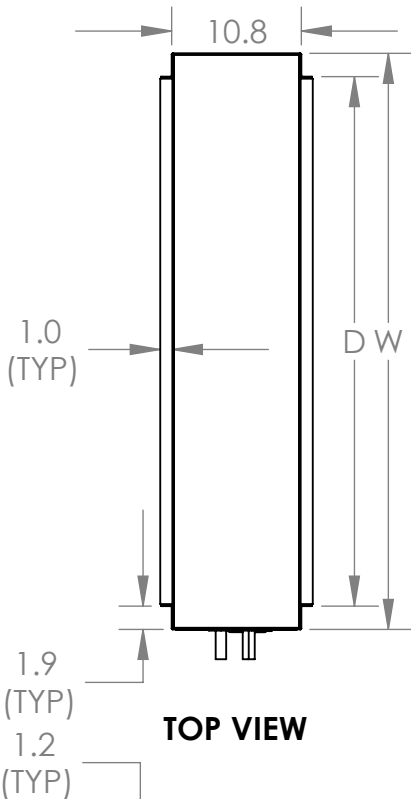
RIGHT SIDE VIEW



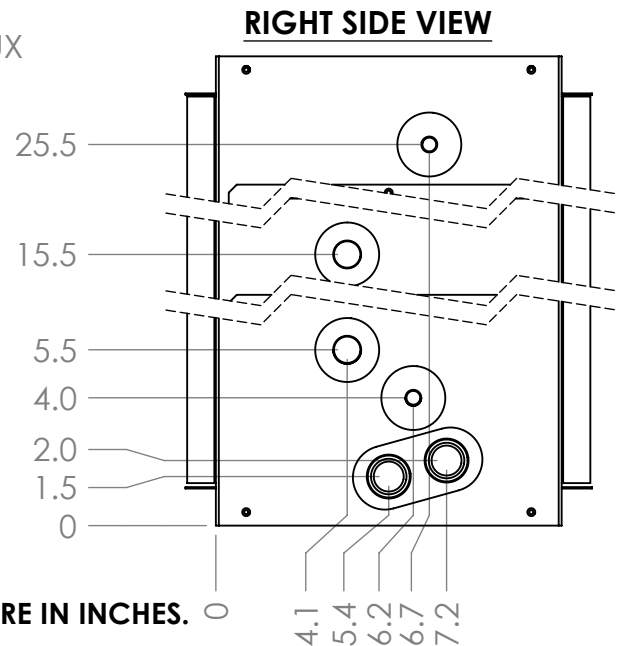
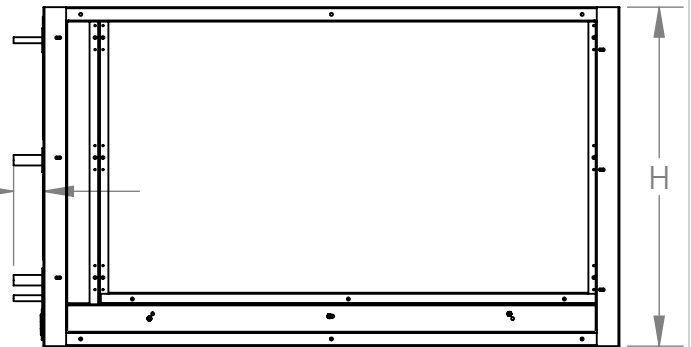
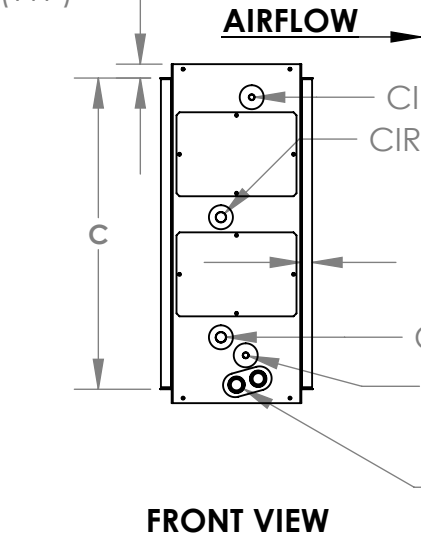
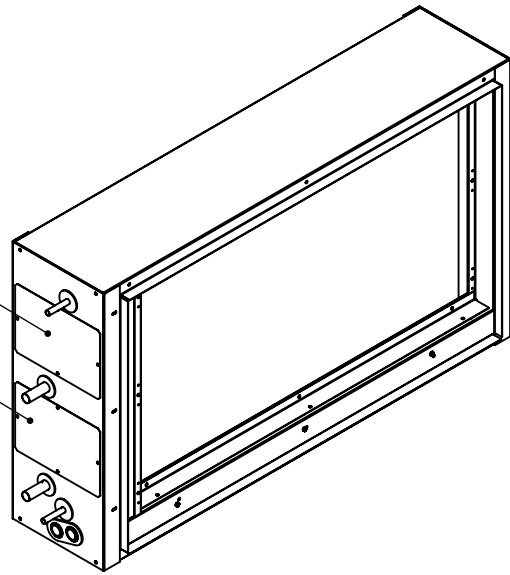
UNIT	DUCT DIM		CONN SIZE (OD)		OVERALL DIM	
	C	D	L	S	H	W
HXB-30	25.9	44.1	0.500	0.875	28.3	48.0
HXB-40	25.9	64.1	0.500	1.125	28.3	68.0

NOTE:

ALL DIMENSIONS ARE IN INCHES.



TXV ACCESS DOOR
TXV ACCESS DOOR



UNIT	DUCT DIM		CONN SIZE (OD)		OVERALL DIM	
	C	D	L	S	H	W
HXB-30	25.9	44.1	0.500	0.875	28.3	48.0
HXB-40	25.9	64.1	0.500	1.125	28.3	68.0

NOTE:

ALL DIMENSIONS ARE IN INCHES.