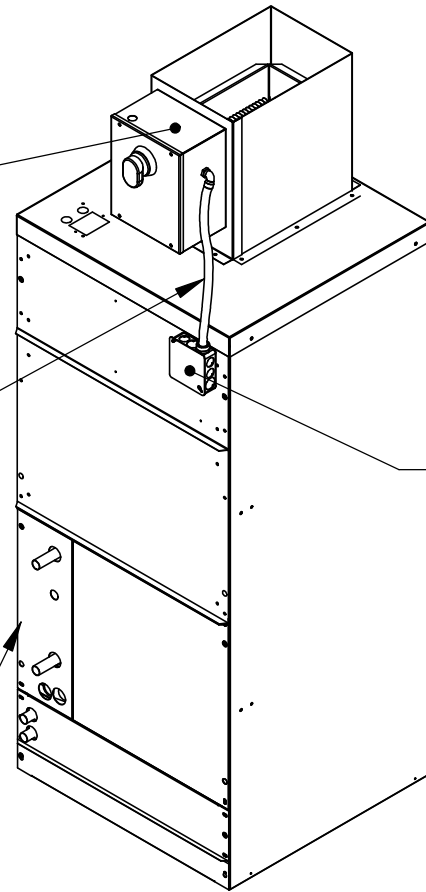


Heater-Top View

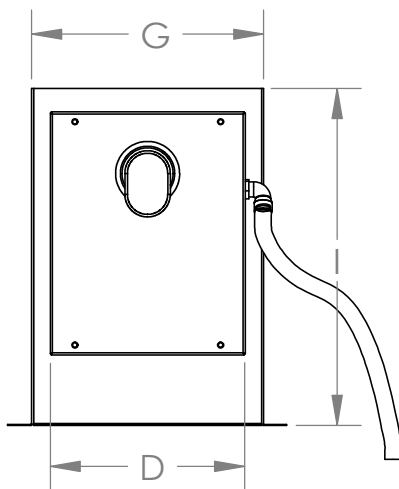
Field Installed Electric Heat Assembly

Conduit-Provided with heater, connected in the field.

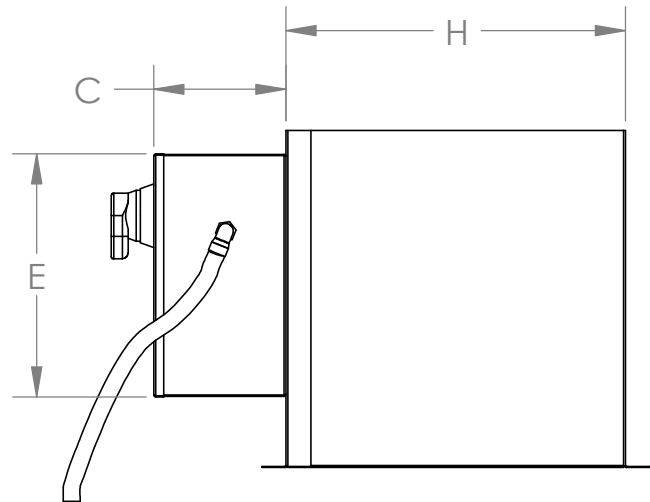
BVE Air Handling Unit



AHU Motor wiring J-Box



Heater-Front View



Heater-Right View

Notes:

1. Use with BVE-300T dimensions table.
2. Refer to New Magic 4 software for pricing and available capacity & voltage combinations.
3. Heater footprint is fully contained within the BVE unit footprint.

BV FIELD INSTALLED ELECTRIC HEAT

UNIT SIZE	RATED VOLTS	KW	STAGES	CONTROL BOX			PLENUM		
				C	D	E	G	H	I
BVE-08/12	240-1	5	1	5.5	20	12	8.8	12.1	14
	240-1	10	2	5.5	20	12	8.8	12.1	14
	240-3	10	2	5.5	20	12	8.8	12.1	14
	480-3	10	2	5.5	20	12	8.8	12.1	14
	277-1	5	1	5.5	20	12	8.8	12.1	14
	277-1	10	2	5.5	20	12	8.8	12.1	14
BVE-16	240-1	5	1	5.5	22	12	9.3	14.1	14
	240-1	10	2	5.5	22	12	9.3	14.1	14
	240-1	12	2	5.5	20	14	9.3	14.1	16
	240-3	10	2	5.5	22	12	9.3	14.1	14
	240-3	15	2	5.5	22	12	9.3	14.1	14
	480-3	15	2	5.5	22	12	9.3	14.1	14
BVE-20	240-1	5	1	5.5	24	12	13.1	14.4	14
	240-1	10	2	5.5	24	12	13.1	14.4	14
	240-1	15	2	5.5	24	14	13.1	14.4	16
	240-1	19	2	5.5	24	14	13.1	14.4	16
	240-3	5	2	5.5	24	12	13.1	14.4	14
	240-3	10	2	5.5	24	12	13.1	14.4	14
	240-3	15	2	5.5	24	12	13.1	14.4	14
	240-3	19	2	5.5	24	14	13.1	14.4	16
	480-3	5	2	5.5	24	12	13.1	14.4	14
	480-3	19	2	5.5	24	12	13.1	14.4	14
BVE-30/40	240-1	5	1	5.5	24	12	13.6	16.5	14
	240-1	10	2	5.5	24	12	13.6	16.5	14
	240-1	15	2	5.5	24	14	13.6	16.5	16
	240-1	21	2	5.5	24	14	13.6	16.5	16
	240-3	5	2	5.5	24	12	13.6	16.5	14
	240-3	10	2	5.5	24	12	13.6	16.5	14
	240-3	15	2	5.5	24	12	13.6	16.5	14
	240-3	21	2	5.5	24	14	13.6	16.5	16
	480-3	5	2	5.5	24	12	13.6	16.5	14
	480-3	10	2	5.5	24	12	13.6	16.5	14
	480-3	15	2	5.5	24	12	13.6	16.5	14
	480-3	21	2	5.5	24	12	13.6	16.5	14