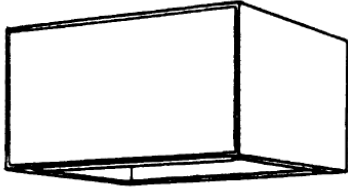


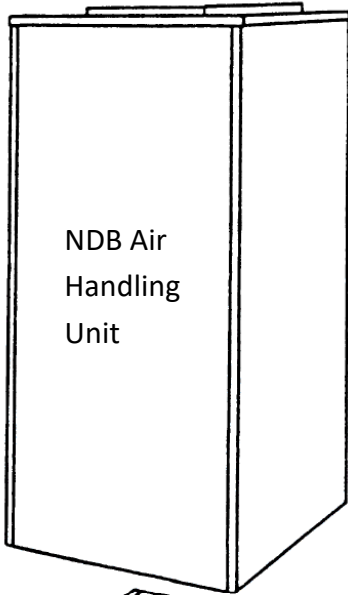


# PVAN Plenum Accessory

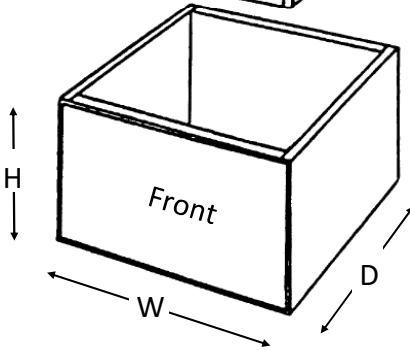
16" High (no filter)



Plenum (field discharge grille or duct not shown)



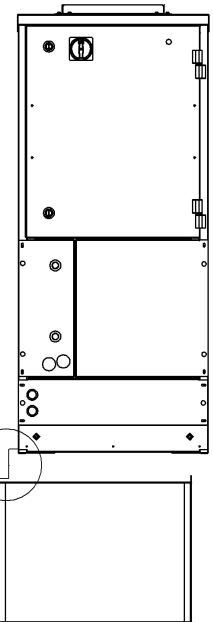
NDB Air Handling Unit



Plenum (field return grille or duct not shown)

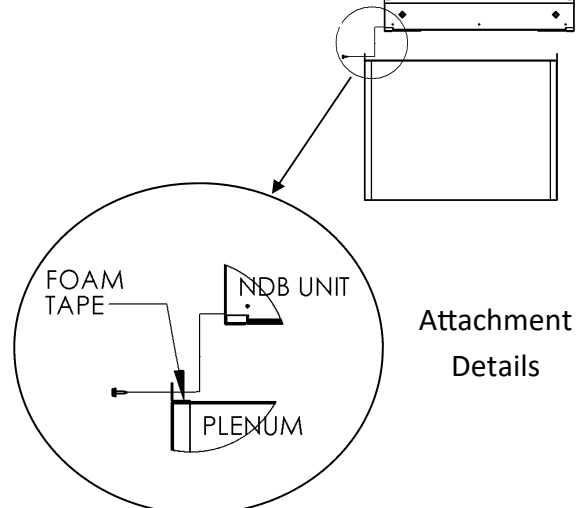
## Features:

- 19ga galvanized steel with polyester baked-on powder coating
- 3/4" foil-faced closed cell insulation
- 5 closed sides to allow field-cut openings for grilles or ductwork (see note 2)
- Can be used as return plenum (bottom) or supply plenum (top)



Plenum Accessory Dimensions (inches)					
Unit Size	Part No.	Model No.	W	D	H
08	473-550117-000	PVANA08DAA116AAM	22.2	25.0	16.0
12	473-550118-000	PVANA12DAA116AAM	22.2	25.0	16.0
16	473-550119-000	PVANA16DAA116AAM	25.2	25.0	16.0
20	473-550120-000	PVANA20DAA116AAM	29.6	26.8	16.0

- Notes:
1. Height dimension "H" does not include 0.75" side flanges, which don't add to total height. See Attachment Details.
  2. For best structural support, allow minimum 1.5" clear from each edge to field cut duct or grille openings.
  3. Discharge plenum not compatible with field installed electric heater accessory.



Attachment Details

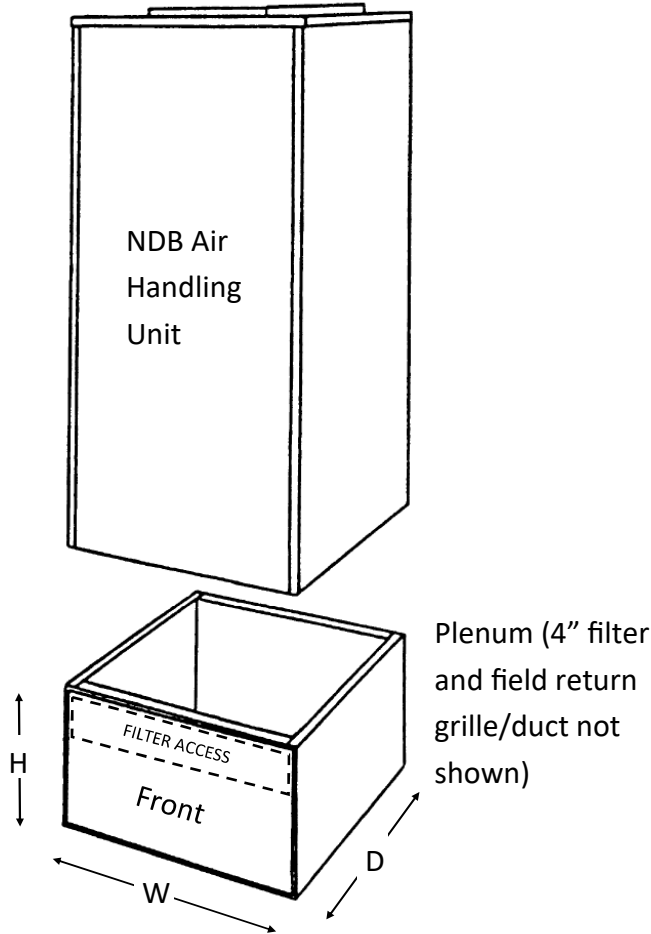


# PVAN Plenum Accessory

## 20" High w/4" MERV 13 Filter

### Features:

- 19ga galvanized steel with polyester baked-on powder coating
- 3/4" foil-faced closed cell insulation
- 5 closed sides to allow field-cut openings for grilles or ductwork (see note 2)
- 4" MERV 13 Filter with hinged front access door with 1/4-turn latches



Plenum Accessory Dimensions (inches)					
Unit Size	Part No.	Model No.	W	D	H
08	473-550157-001	PVANA08HAA120AAM	22.2	25.0	20.0
12	473-550158-001	PVANA12HAA120AAM	22.2	25.0	20.0
16	473-550137-001	PVANA16HAA120AAM	25.2	25.0	20.0
20	473-550152-001	PVANA20HAA120AAM	29.6	26.8	20.0

- Notes: 1. Height dimension "H" does not include 0.75" side flanges, which don't add to total height. See Attachment Details.
2. For best structural support, allow minimum 1.5" clear from each edge to field cut duct or grille openings.

