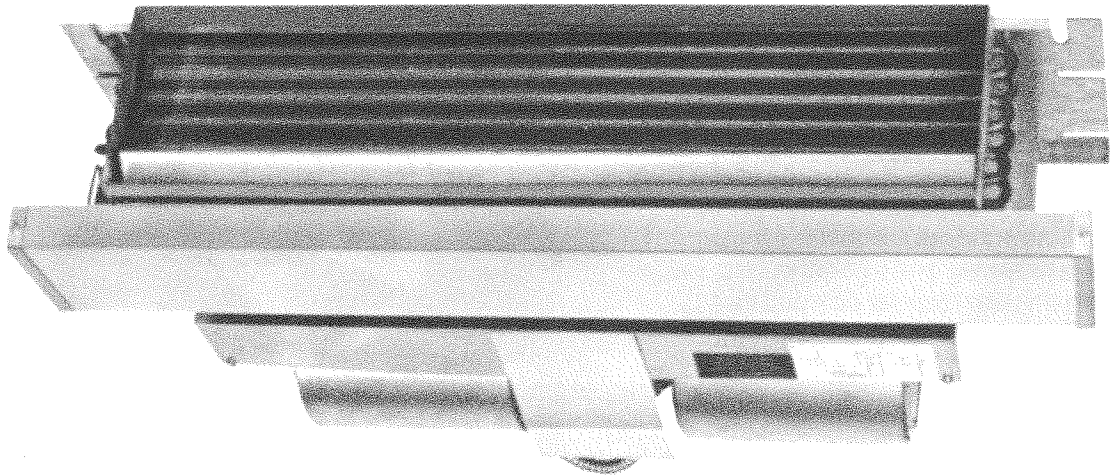


CHX/CHP Series Fan Coils



MAGIC AIRE horizontal fan coils are engineered for permanent, ceiling mounted installations in the return air plenum. Electric heat is available 1-10 KW.

APPLICATION. CHX Series - DX Cooling with or without electric heat. CHP Series - Heat Pump cooling/heating OR high efficiency DX Cooling with or without electric heat.

IMPORTANT: When application calls for CHP Series used in conjunction with a heat pump, contact factory for ratings and to confirm compatibility with specific heat pump models.

GENERAL CONSTRUCTION. All metal parts are fabricated from heavy galvanized steel for long life and durability.

APPROVALS. All units safety tested and approved by E.T.L.

DRAIN PAN. Consists of an inner and an outer pan, with high density insulation sandwich between.

COIL CONSTRUCTION. High efficiency copper tube coils with aluminum fins utilizes piston metering devices.

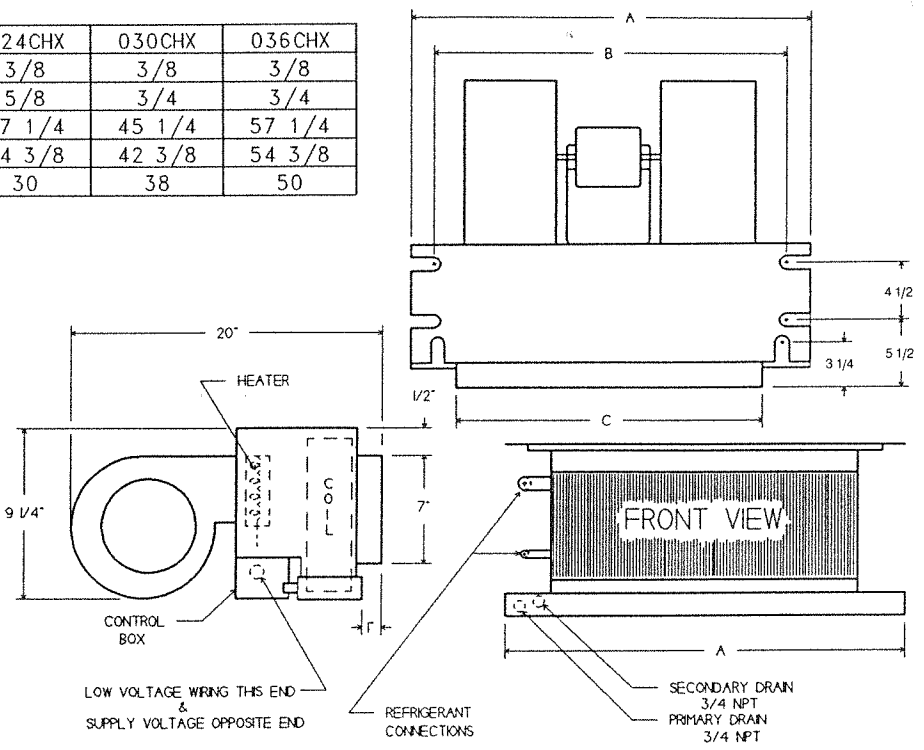
CONTROLS. Factory installed 24V control transformer and fan relay.

FACTORY TESTING. Each unit is given both a dielectric test and a run test before shipment.

Horizontal Fan Coils

MODEL	015CHX	018CHX	024CHX	030CHX	036CHX
LIQUID LINE	3/8	3/8	3/8	3/8	3/8
SUCTION LINE	5/8	5/8	5/8	3/4	3/4
A	37 1/4	37 1/4	37 1/4	45 1/4	57 1/4
B	34 3/8	34 3/8	34 3/8	42 3/8	54 3/8
C	30	30	30	38	50

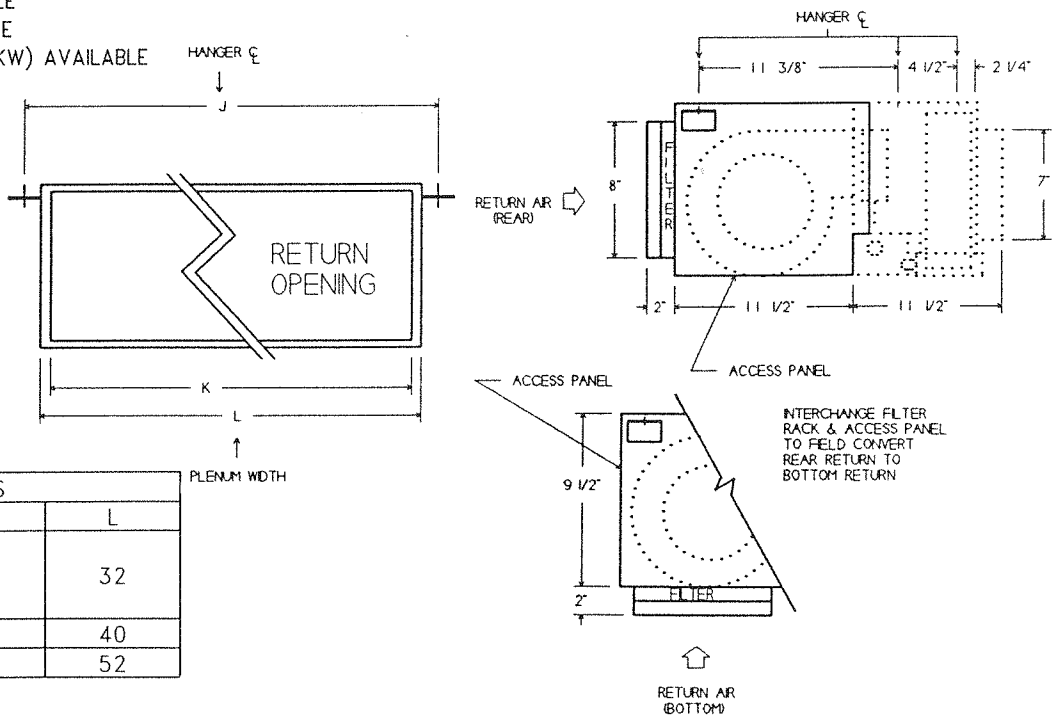
BLOWER DATA					
MODEL	CFM VS STATIC PRESSURES				
	0.1	.15	0.2	.25	0.3
018	710	875	635	590	540
024	845	810	770	725	680
030	1070	1030	990	950	900
036	1400	1300	1290	1250	1180



PERFORMANCE DATA

MODEL	HEATING CAPACITY				TOTAL AMPS		MIN. CIR. AMPACITY		MAX HACR BREAKER OR FUSE
	KW		BTUH		240V	208V	240V	208V	AMPS
	240V	208V	240V	208V					
***CHX-0	0	0	0	0	2.6	1.9	4.0	3.0	15
***CHX-3	3	2.25	10,200	7,600	15.1	12.7	19.0	16.0	20
***CHX-5	5	3.75	17,000	12,800	23.5	19.9	30.0	25.0	30
***CHX-6	6	4.50	20,500	15,300	27.5	23.5	36.0	30.0	40
***CHX-8	8	6.00	27,300	20,400	36.0	30.7	45.0	39.0	45
***CHX-10	10	7.50	34,100	25,600	44.2	30.3	56.0	50.0	60

NOTE: 015CHX (0-6KW) AVAILABLE
 018CHX (0-8KW) AVAILABLE
 024/030/036CHX (0-10KW) AVAILABLE



RETURN AIR PLENUM DIMENSIONS			
MODELS	J	K	L
015			
018	34 3/8	30	32
024			
030	42 3/8	38	40
036	54 3/8	50	52