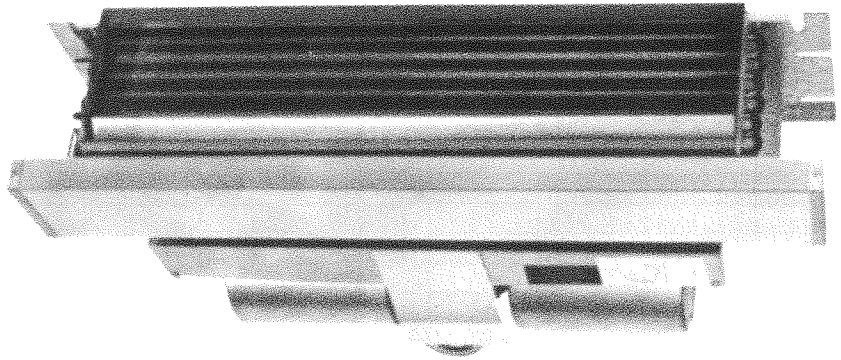


CHW Series

Sizes From 200 to 1200 CFM



Magic Aire horizontal fan coil units are engineered for permanent, ceiling-mounted installations in the return airspace. An insulated return air plenum is available for ducted return applications and is easily field converted for bottom or rear entry. Units are available in various sizes from 200 to 1200 CFM, with or without factory installed electric heaters.

All Magic Aire fan coils units are designed for easy access and service of heaters, controls and motors. Electrical requirements are 120/208/240/265 VAC, 50/60 HZ single phase. Three-phase heaters are available upon request.

ONLY MAGIC AIRE FAN COILS OFFER ALL THESE ADVANTAGES.

COILS. All water cooling coils are constructed of 3/8" O.D. copper tubes with 3, 4, and 5 rows of surface (3 row standard). Heating coils are available in 1, 2, 3, and 4 rows. Four pipe (split) coils are available with 3/1, 4/1, or 3/2 combinations.

DRAIN PAN. All drain pan corners and fittings are brazed. Two galvanized steel pans with high density insulation sandwiched between them are used to insure positive condensate protection. A 3/4" primary drain connection is provided along with a secondary overflow outlet to provide additional protection.

LOW NOISE LEVEL. Water valves operate silently and the balanced steel blowers wheels assure quiet, vibration-free operation.

MOTORS. Standard motors (115V/1) are resilient mounted, tap-wound permanent split capacitor with built in U.L. listed thermal overload protection. Resilient rubber mounts contribute to the smooth and quiet operation.

SERVICE. Easy access to the controls compartment is gained by removing only the control box cover. There is no need to remove the blowers to service the unit.

FACTORY TESTING. Each unit is pressure tested and all units are dielectrically tested. All units are run tested at the factory before shipping to assure you of the highest quality and performance.

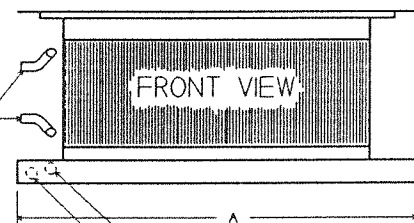
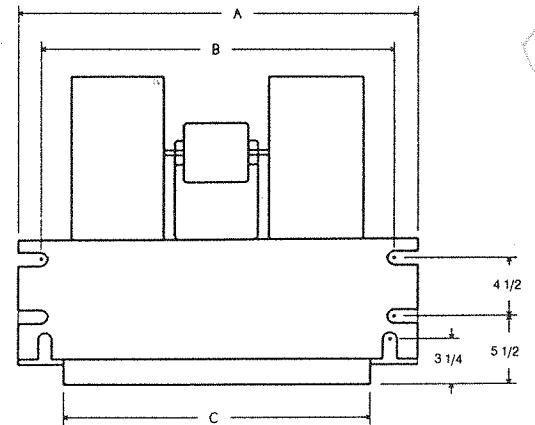
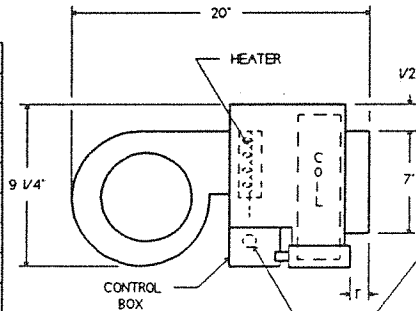
CONTROLS. See Piping and Control Packages Manual for all available thermostat and valve package options.

Horizontal Fan Coils

| BLOWER DATA | | | | | |
|-------------|-------------------------|------|------|------|------|
| MODEL | CFM VS STATIC PRESSURES | | | | |
| | 0.1 | .15 | 0.2 | .25 | 0.3 |
| 006 | 304 | 291 | 277 | 263 | 248 |
| 009 | 351 | 339 | 328 | 316 | 304 |
| 012 | 489 | 473 | 457 | 422 | 403 |
| 015 | 653 | 628 | 603 | 577 | 563 |
| 018 | 653 | 628 | 603 | 577 | 563 |
| 024 | 950 | 916 | 889 | 862 | 824 |
| 030 | 1066 | 1023 | 1000 | 964 | 917 |
| 036 | 1331 | 1285 | 1247 | 1206 | 1165 |

| MODEL | A | B | C |
|-------|--------|--------|----|
| 006 | 23 1/4 | 20 3/8 | 16 |
| 009 | 27 1/4 | 24 3/8 | 20 |
| 012 | 33 1/4 | 30 3/8 | 26 |
| 015 | 37 1/4 | 34 3/8 | 30 |
| 018 | 37 1/4 | 34 3/8 | 30 |
| 024 | 43 1/4 | 40 3/8 | 36 |
| 030 | 49 1/4 | 46 3/8 | 42 |
| 036 | 57 1/4 | 54 3/8 | 50 |

NOTE: RIGHT HAND UNIT ILLUSTRATED
LEFT HAND UNIT HAS DRAIN AND
PPING CONNECTIONS ON OPPOSITE END



INLET AND OUTLET CONNECTIONS 5/8" O.D. SWEAT
SECONDARY DRAIN 3/4 NPT
PRIMARY DRAIN 3/4 NPT

PERFORMANCE DATA

| MODEL | HEATING CAPACITY | | | | TOTAL AMPS | | MIN. CIR. AMPACITY | | MAX HACR BREAKER OR FUSE AMPS |
|-----------|------------------|------|--------|--------|------------|------|--------------------|------|-------------------------------|
| | KW | | BTUH | | 240V | 208V | 240V | 208V | |
| | 240V | 208V | 240V | 208V | 240V | 208V | 240V | 208V | |
| ***CHW-0 | 0 | 0 | 0 | 0 | 2.6 | 1.9 | 4.0 | 3.0 | 15 |
| ***CHW-3 | 3 | 2.25 | 10,200 | 7,600 | 15.1 | 12.7 | 19.0 | 16.0 | 20 |
| ***CHW-5 | 5 | 3.75 | 17,000 | 12,800 | 23.5 | 19.9 | 30.0 | 25.0 | 30 |
| ***CHW-6 | 6 | 4.50 | 20,500 | 15,300 | 27.5 | 23.5 | 36.0 | 30.0 | 40 |
| ***CHW-8 | 8 | 6.00 | 27,300 | 20,400 | 36.0 | 30.7 | 45.0 | 39.0 | 45 |
| ***CHW-10 | 10 | 7.50 | 34,100 | 25,600 | 44.2 | 30.3 | 56.0 | 50.0 | 60 |

NOTE: 006CHW (0-3KW) AVAILABLE
009/012CHW (0-6KW) AVAILABLE
015/018CHW (0-8KW) AVAILABLE
024/030/036CHW (0-10KW) AVAILABLE

| RETURN AIR PLENUM DIMENSIONS | | | |
|------------------------------|--------|----|----|
| MODELS | J | K | L |
| 006 | 20 3/8 | 16 | 18 |
| 009 | 24 3/8 | 20 | 22 |
| 012 | 30 3/8 | 26 | 28 |
| 015 | 34 3/8 | 30 | 32 |
| 018 | 34 3/8 | 30 | 32 |
| 024 | 40 3/8 | 36 | 38 |
| 030 | 42 3/8 | 38 | 40 |
| 036 | 54 3/8 | 50 | 52 |

