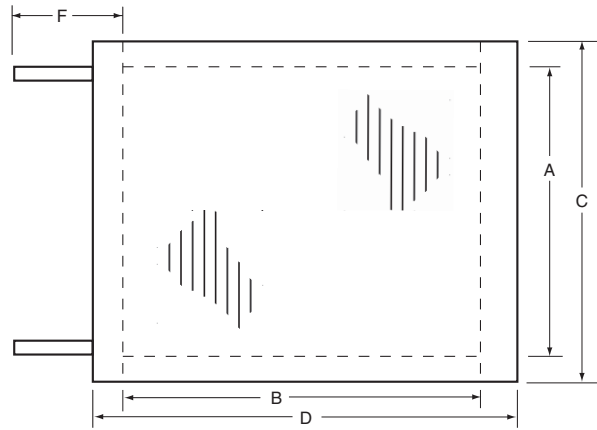
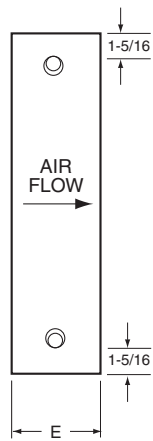


MODEL

2130

3130

4130



MODEL

2208

2347

2417

2122410

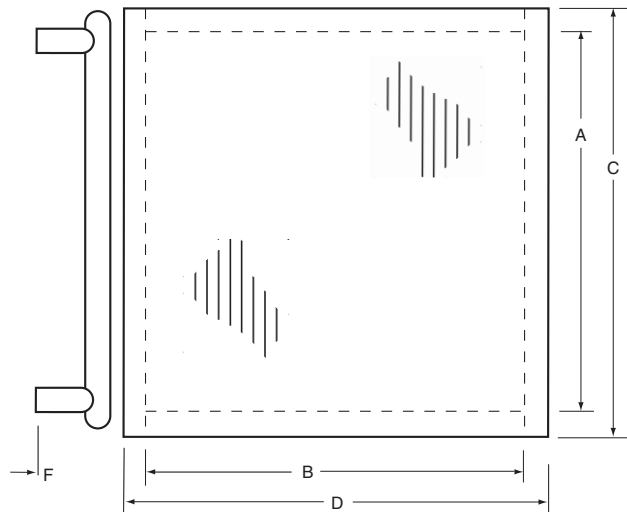
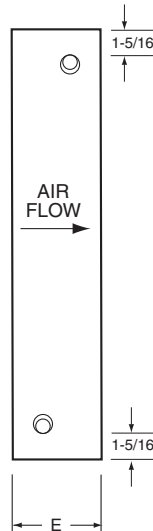
2151510

2153010

2202010

2252510

2253010



MODEL

3208

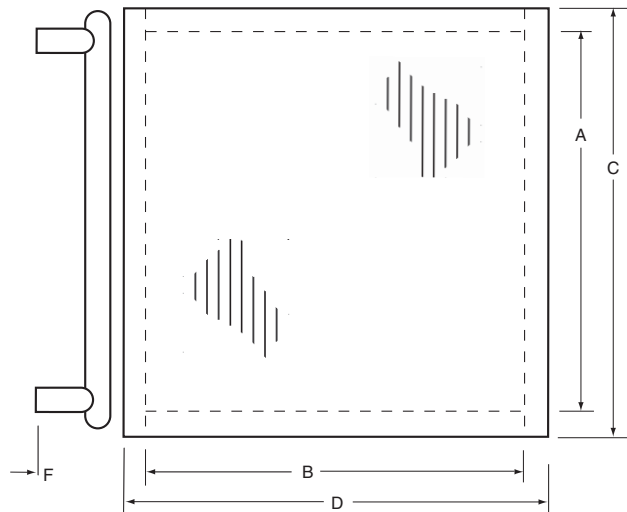
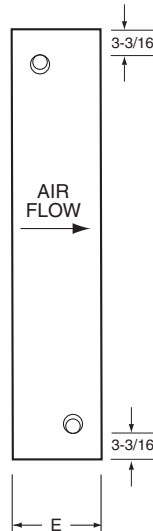
3347

3417

4208

4347

4417



FEATURES

- Constructed of seamless copper tubing, aluminum fins, and galvanized steel casing.
- Mechanical tube expansion process assures maximum heat transfer.
- Designed for maximum 300 PSIG operating pressure.
- Designed with top and bottom casing for mounting in new or existing ducts.
- Sweat connections are actual O.D.

ENGINEERING SPECIFICATIONS

Coils shall be staggered tube type, constructed with 1/2" O.D., .017" wall seamless copper tubes and headers, and deep corrugated .0045" thick aluminum fins with straight edges. Manufacturer shall supply full depth collars drawn in fin stock to provide accurate control of fin spacing. Tubes shall be mechanically expanded into the fins for a permanent primary to secondary surface bond, assuring maximum heat transfer efficiency. Coil casing shall be of heavy gauge galvanized steel, with 18 gauge tube sheets and 20 gauge top and bottom casing. Coils shall be tested at 500 PSIG for operation at 300 PSIG.

MODEL	ROWS	FACE AREA	A	B	C	D	E	F	COIL CONN. O.D.	SHIP WT.
SHW-2130	2	1.30	12 1/2	15	14 1/2	17	3 3/4	3 1/2	5/8	11
SHW-2208	2	2.08	15	20	17	22	3 3/4	4 1/2	7/8	15
SHW-2347	2	3.47	20	25	22	27	3 3/4	5	7/8	23
SHW-2417	2	4.17	20	30	22	32	3 3/4	5 1/4	1 1/8	28
SHW-2151510	2	1.56	15	15	17	17	3 3/4	4 3/8	7/8	11
SHW-2122410	2	2.00	12 1/2	24	14 1/2	26	3 3/4	4 3/8	7/8	15
SHW-2202010	2	2.78	20	20	22	22	3 3/4	4 3/8	7/8	20
SHW-2153010	2	3.13	15	30	17	32	3 3/4	4 3/8	7/8	23
SHW-2252510	2	4.34	25	25	27	27	3 3/4	4 3/8	7/8	31
SHW-2253010	2	5.21	25	30	27	32	3 3/4	4 3/8	7/8	37
SHW-3130	3	1.30	12 1/2	15	14 1/2	17	3 3/4	3 1/2	5/8	13
SHW-3208	3	2.08	15	20	17	22	3 3/4	4 1/2	7/8	21
SHW-3347	3	3.47	20	25	22	27	3 3/4	5	7/8	29
SHW-3417	3	4.17	20	30	22	32	3 3/4	5 1/4	1 1/8	35
SHW-4130	4	1.30	12 1/2	15	14 1/2	17	4 7/8	4	5/8	18
SHW-4208	4	2.08	15	20	17	22	4 7/8	4 1/2	7/8	25
SHW-4347	4	3.47	20	25	22	27	4 7/8	5	7/8	38
SHW-4417	4	4.17	20	30	22	32	4 7/8	5 1/4	1 1/8	44

2 Row Heating

SHW-2130

Ent Wtr	GPM	PD FT.	CFM	60 DegF Ent Air		
				TTL MBH	LAT F	LWT F
180	2.0	1.84	550	26.3	103.9	153.6
			775	29.9	95.5	149.9
			1000	32.7	90.1	147.1
	4.0	4.77	550	28.9	108.3	165.5
			775	33.6	99.8	163.1
			1000	37.2	94.2	161.3
	6.0	9.37	550	30.0	110.1	170.0
			775	35.0	101.5	168.3
			1000	39.2	95.9	166.9

SHW-2208

Ent Wtr	GPM	PD FT.	CFM	60 DegF Ent Air		
				TTL MBH	LAT F	LWT F
180	4.0	1.36	900	46.8	107.7	156.6
			1150	51.7	101.2	154.1
			1400	55.7	96.5	152.1
	8.0	3.53	900	51.1	112.1	167.2
			1150	57.2	105.6	165.7
			1400	62.3	100.8	164.4
	12.0	6.92	900	52.8	113.8	171.2
			1150	59.4	107.3	170.1
			1400	65.0	102.5	169.2

SHW-2347

Ent Wtr	GPM	PD FT.	CFM	60 DegF Ent Air		
				TTL MBH	LAT F	LWT F
180	10.0	3.06	1500	81.8	109.9	163.6
			2000	92.7	102.4	161.5
			2500	101.3	97.1	159.7
	15.0	6.01	1500	85.5	112.2	168.6
			2000	97.5	104.6	167.0
			2500	107.3	99.3	165.7
	20.0	10.07	1500	87.5	113.4	171.2
			2000	100.2	105.9	170.0
			2500	110.6	100.5	168.9

SHW-2417

Ent Wtr	GPM	PD FT.	CFM	60 DegF Ent Air		
				TTL MBH	LAT F	LWT F
180	15.0	3.51	1800	101.8	111.7	166.4
			2400	115.9	104.2	164.5
			3000	127.3	98.8	163.0
	20.0	5.64	1800	104.4	113.1	169.6
			2400	119.4	105.5	168.1
			3000	131.6	100.2	166.8
	25.0	8.34	1800	106.0	113.9	171.5
			2400	121.6	106.4	170.3
			3000	134.4	101.0	169.2

2 Row Heating

SHW-2122410

Ent Wtr	GPM	PD FT.	CFM	60 DegF Ent Air		
				TTL MBH	LAT F	LWT F
180	4.8	3.37	900	47.4	108.2	160.2
			1150	52.5	101.8	158.1
			1400	56.6	97.0	156.4
	5.5	4.17	900	48.4	109.2	162.4
			1150	53.7	102.8	160.4
			1400	58.1	98.0	158.8
	6.0	4.80	900	48.9	109.8	163.7
			1150	54.4	103.3	161.8
			1400	58.9	98.6	160.3

SHW-2151510

Ent Wtr	GPM	PD FT.	CFM	60 DegF Ent Air		
				TTL MBH	LAT F	LWT F
180	3.1	0.83	550	30.3	110.6	160.4
			775	34.7	101.2	157.5
			1000	38.2	95.0	155.3
	3.8	0.97	550	31.3	112.4	163.4
			775	36.2	102.9	160.9
			1000	40.0	96.7	158.9
	4.3	1.08	550	31.9	113.4	165.1
			775	37.0	103.9	162.7
			1000	41.1	97.6	160.9

SHW-2153010

Ent Wtr	GPM	PD FT.	CFM	60 DegF Ent Air		
				TTL MBH	LAT F	LWT F
180	7.1	5.79	1200	70.9	114.1	160.0
			1700	82.9	104.6	156.6
			2200	92.2	98.4	154.0
	8.5	7.86	1200	72.3	115.1	163.0
			1700	84.8	105.7	160.0
			2200	94.6	99.4	157.7
	9.7	9.91	1200	73.1	115.8	164.9
			1700	86.1	106.3	162.2
			2200	96.2	100.0	160.1

SHW-2202010

Ent Wtr	GPM	PD FT.	CFM	60 DegF Ent Air		
				TTL MBH	LAT F	LWT F
180	6.0	1.46	1000	56.9	112.1	161.0
			1500	67.4	101.1	157.5
			2000	75.0	94.3	155.0
	7.5	1.95	1000	58.8	113.8	164.3
			1500	70.2	102.8	161.3
			2000	78.5	95.9	159.0
	8.6	2.37	1000	59.8	114.8	166.1
			1500	71.7	103.7	163.3
			2000	80.5	96.8	161.3

SHW-2252510

Ent Wtr	GPM	PD FT.	CFM	60 DegF Ent Air		
				TTL MBH	LAT F	LWT F
180	9.8	2.77	1800	97.1	109.4	160.2
			2400	109.5	101.8	157.6
			3000	119.3	96.4	155.6
	11.2	3.43	1800	99.0	110.3	162.3
			2400	112.0	102.7	160.0
			3000	122.3	97.3	158.1
	12.5	4.11	1800	100.4	111.1	163.9
			2400	113.9	103.4	161.8
			3000	124.7	98.0	160.0

SHW-2253010

Ent Wtr	GPM	PD FT.	CFM	60 DegF Ent Air		
				TTL MBH	LAT F	LWT F
180	11.8	3.80	2000	114.1	112.2	160.6
			2800	131.9	103.1	157.6
			3600	145.6	97.0	155.3
	14.1	5.14	2000	116.7	113.4	163.4
			2800	135.6	104.3	160.8
			3600	150.2	98.2	158.7
	16.0	6.41	2000	118.4	114.2	165.2
			2800	137.9	105.1	162.7
			3600	153.2	98.9	160.8

HOT WATER HEATING CORRECTION FACTORS									
Entering Air Temp (F)	Entering Water Temp (F)								
	100°	110°	120°	130°	140°	150°	160°	170°	180°
50°	.419	.500	.579	.665	.742	.838	.917	1.000	1.090
55°	.376	.460	.544	.629	.708	.791	.873	.963	1.048
60°	.335	.419	.500	.579	.665	.742	.838	.917	1.000
65°	.290	.376	.460	.544	.629	.708	.791	.873	.963
70°	.251	.335	.419	.500	.579	.665	.742	.838	.917
75°	.205	.290	.376	.460	.544	.629	.708	.791	.873
80°	.167	.251	.335	.419	.500	.579	.665	.742	.838

When correction factors are used for various entering air and entering water temperatures, multiply the correction factor times the above listed capacity. The correction factors may be used with all Magic Aire published 180° E.W.T. heating capacities.

3 Row Heating

SHW-3130

Ent Wtr	GPM	PD FT.	CFM	60 DegF Ent Air		
				TTL MBH	LAT F	LWT F
180	2.0	0.93	550	33.2	115.4	146.7
			775	38.1	105.0	141.8
			1000	41.7	98.2	138.3
	4.0	2.03	550	37.2	122.2	161.3
			775	43.9	111.9	158.0
			1000	49.0	104.9	155.5
6.0	3.69	550	38.9	124.9	167.0	
		775	46.3	114.7	164.6	
		1000	52.0	107.6	162.6	

SHW-3208

Ent Wtr	GPM	PD FT.	CFM	60 DegF Ent Air		
				TTL MBH	LAT F	LWT F
180	4.0	1.10	900	58.9	120.0	150.5
			1150	65.5	112.2	147.2
			1400	70.8	106.3	144.6
	8.0	2.63	900	65.5	126.6	163.6
			1150	74.1	119.0	161.5
			1400	81.2	113.1	159.7
10.0	3.73	900	66.9	128.1	166.6	
		1150	76.0	120.5	164.8	
		1400	83.7	114.7	163.3	

SHW-3347

Ent Wtr	GPM	PD FT.	CFM	60 DegF Ent Air		
				TTL MBH	LAT F	LWT F
180	10.0	3.34	1500	106.7	125.1	158.6
			2000	122.6	116.1	155.5
			2500	135.3	109.5	152.9
	15.0	6.61	1500	111.6	128.1	165.1
			2000	129.5	119.2	162.7
			2500	143.9	112.7	160.8
20.0	11.10	1500	114.2	129.7	168.6	
		2000	133.2	120.9	166.7	
		2500	148.7	114.4	165.1	

SHW-3417

Ent Wtr	GPM	PD FT.	CFM	60 DegF Ent Air		
				TTL MBH	LAT F	LWT F
180	15.0	4.21	1800	132.6	127.4	162.3
			2400	153.4	118.5	159.5
			3000	170.3	111.9	157.3
	20.0	6.84	1800	136.1	129.2	166.4
			2400	158.3	120.4	164.2
			3000	176.5	113.9	162.3
25.0	10.14	1800	138.2	130.3	168.9	
		2400	161.4	121.6	167.1	
		3000	180.5	115.1	165.5	

4 Row Heating

SHW-4130

Ent Wtr	GPM	PD FT.	CFM	60 DegF Ent Air		
				TTL MBH	LAT F	LWT F
180	6.0	5.71	550	45.6	135.9	164.8
			775	54.9	124.9	161.7
			1000	62.2	117.0	159.2
	8.0	9.38	550	46.6	137.7	168.3
			775	56.6	126.9	165.8
			1000	64.5	119.1	163.9
10.0	14.02	550	47.3	138.8	170.5	
		775	57.6	128.1	168.5	
		1000	66.0	120.4	166.8	

SHW-4208

Ent Wtr	GPM	PD FT.	CFM	60 DegF Ent Air		
				TTL MBH	LAT F	LWT F
180	4.0	0.99	900	67.7	128.9	146.1
			1150	75.7	120.2	142.1
			1400	81.9	113.6	139.0
	8.0	2.29	900	75.9	137.2	161.0
			1150	86.7	129.0	158.3
			1400	95.6	122.5	156.1
10.0	3.22	900	77.7	139.0	164.4	
		1150	89.2	131.0	162.1	
		1400	98.9	124.6	160.2	

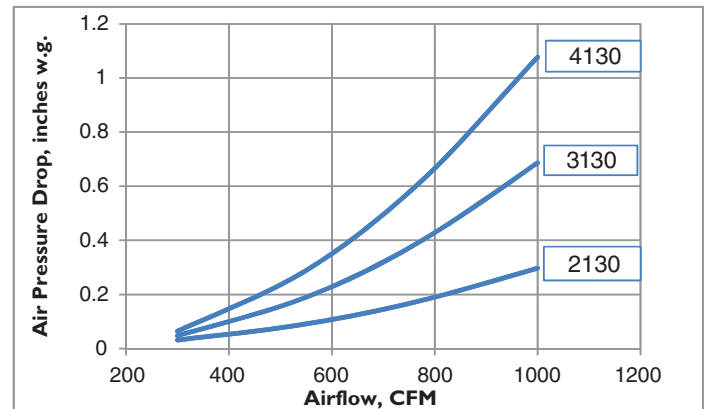
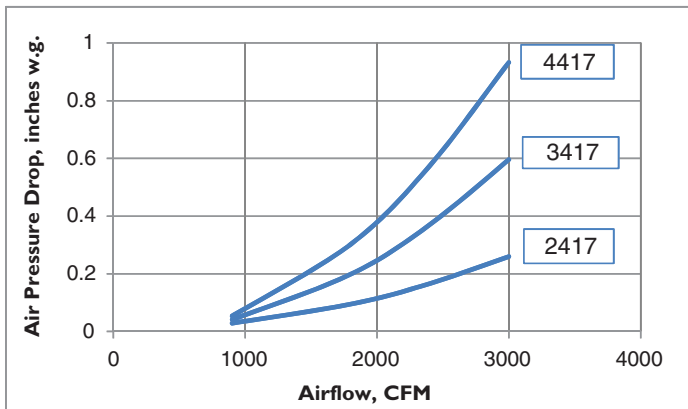
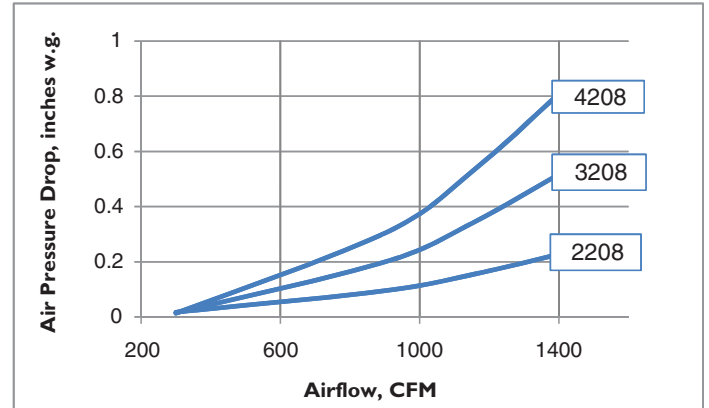
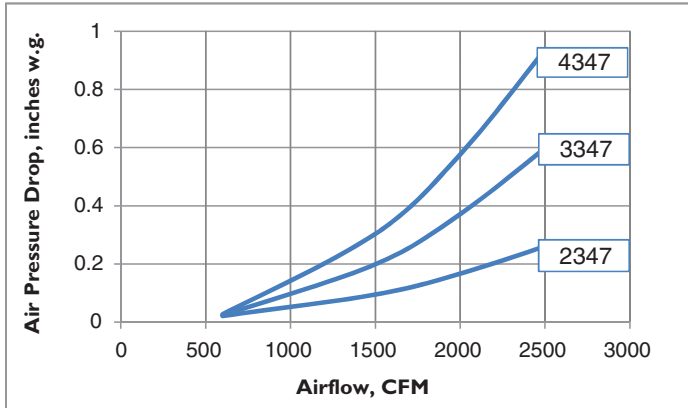
SHW-4347

Ent Wtr	GPM	PD FT.	CFM	60 DegF Ent Air		
				TTL MBH	LAT F	LWT F
180	10.0	3.63	1500	125.5	136.5	154.9
			2000	146.0	126.8	150.8
			2500	162.4	119.4	147.5
	15.0	7.23	1500	131.1	140.0	162.5
			2000	154.3	130.6	159.4
			2500	173.3	123.4	156.9
20.0	12.14	1500	134.0	141.8	166.6	
		2000	158.8	132.6	164.1	
		2500	179.2	125.6	162.1	

SHW-4417

Ent Wtr	GPM	PD FT.	CFM	60 DegF Ent Air		
				TTL MBH	LAT F	LWT F
180	15.0	2.53	1800	150.6	136.6	159.9
			2400	175.5	126.9	156.6
			3000	195.4	119.6	153.9
	20.0	4.01	1800	155.4	139.0	164.4
			2400	182.6	129.6	161.7
			3000	204.7	122.4	159.5
25.0	5.87	1800	158.5	140.6	167.3	
		2400	187.1	131.4	165.0	
		3000	210.6	124.3	163.1	

SHW-XXXX Series



SHW-2XXXX10 Series

