

Motor Start-Stop Station (MSS)

Features:

- Available for HB, BV, and BM units
- ETL Listed as part of Unit.
- Factory Installed and Wired
- Lockable Disconnect Handle
- Non-fused Disconnect Switch
- 24V Control Transformer, 75 VA, Class 2, includes Circuit Breaker
- Terminal Strip for Control Wiring
- Standardized Control Wiring
- Separate Field Control and Power Entry Points
- Single Speed Motor Control included. (relay, contactor, or starter as required by the factory-provided motor)
- Adjustable Overload Relay included with Starter (when starter required).



Figure 1
MSS (ships installed on air handling unit - not shown)



Figure 2
MSS, cover removed – with Starter and Overload

MSS is selected only with the air handling unit. Refer to AHU product data and New Magic 4 sizing and selection software—available at www.magicaire.com.

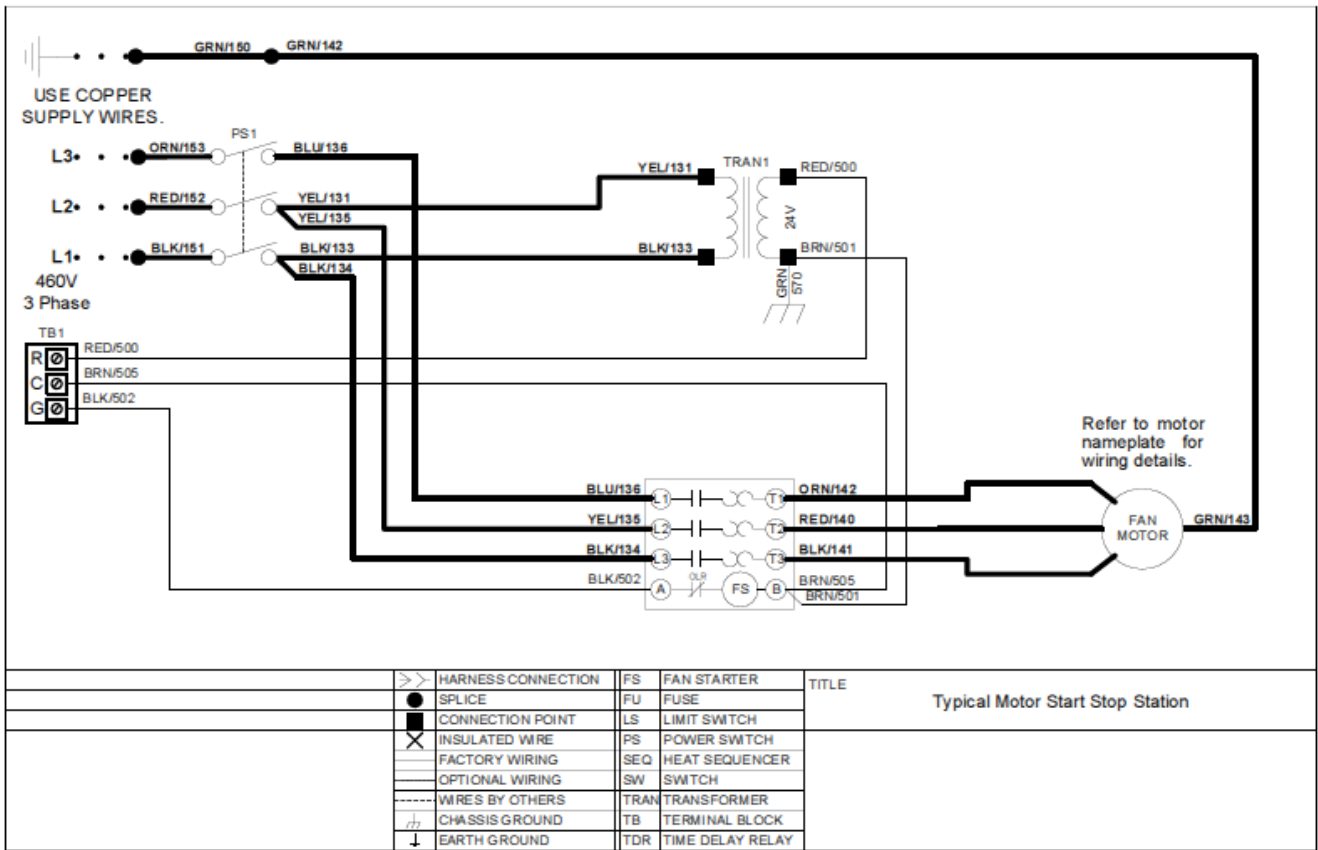


Figure 3
 Typical MSS Wiring Diagram
 (shown with Starter and Overload -
 see air handling unit wiring diagram
 for actual wiring)