

## H-Series Physical Data

Model H-Series HXB/HWB	Unit Size					
	08	12	16	20	30	40
Nominal Capacity ( tons )	2.0	3.0	4.0	5.0	7.5	10.0
Nominal CFM	800	1200	1600	2000	3000	4000
<b>Coils - Direct Expansion (DX)</b>						
Face - Finned Height x Finned Length	16 x 18	16 x 27.5	20 x 30	24 x 30	24 x 40	24 x 60
Face Area - DX (sqft)	2.00	3.06	4.17	5.00	6.67	10.00
FPI - DX	12	12	12	12	12	12
Tube Dia (OD)	3/8	3/8	3/8	3/8	3/8	3/8
No of Rows - DX	4	4	4	4	4	4
Coil Volume (cu in)	48.7	74.3	101.4	121.7	162.2	243.3
<b>Coils - Hydronic</b>						
Face - Finned Height x Finned Length	16 x 18	16 x 27.5	20 x 30	24 x 30	22.5 x 40	22.5 x 60
FaceArea - Hydronic (sqft)	2.00	3.06	4.17	5.00	6.25	9.38
FPI - Hydronic	12	12	12	12	12	12
Tube Dia (OD)	3/8	3/8	3/8	3/8	1/2	1/2
No of Rows - Hydronic	4	4	4	4	4	4
Coil Volume (cu in)	48.7	74.3	101.4	121.7	216.0	324.0
<b>Coil Connections (in)</b>						
Hydronic: Supply & Return (Swt-OD)	0.875	0.875	1.125	1.125	1.625	1.625
DX-Single Circuit: Liquid/Suction (Swt-OD)	0.5/0.75	0.5/0.75	0.5/0.875	0.5/1.125	0.625/1.125	0.625/1.375
DX-Dual Circuit: Circuit #1 Liquid/Suction (Swt-OD) Circuit #2 Liquid/Suction (Swt-OD) Nozzle Size/Qty.	N/A				0.5/0.875 0.5/0.875 R-22:#3/2ea R- 410A:#2.5/2ea	0.5/1.125 0.5/1.125 R-22:#4/2ea R-410A:#4/2ea
<b>Condensate Drain Line (in)</b>						
Primary	3/4 FPT					
Secondary						
<b>Approximate Weight (lb)</b>						
DX Coil Only	14.5	20.1	28.1	33.3	43.4	64.0
DX Coil and Cabinet	65.0	67.0	70.0	68.0	128.0	172.0
Hydronic Coil Only (includes water wt)	26.3	37.1	52.1	63.5	99.4	141.0
Hydronic Coil and Cabinet (includes water weight)	61.0	79.0	99.0	114.0	184.0	249.0
<b>Unit Dimensions (in)</b>						
Cabinet Panel-sheet metal gauge	19 ga.					
Height	19.9	19.9	23.7	27.9	28.3	28.3
Width	26.1	35.6	38.1	38.1	48.0	68.0
Depth (direction of airflow)	10.9	10.9	10.9	10.9	12.8	12.8
<b>Thermal Expansion Valve</b>						
Refrigerant	R-22 or R-410A (must specify using product nomenclature)					
R-410A TXV Type - Single Circuit	2-Ton, 3-Ton 4-Ton and 5-Ton TXV's: Chatleff connection, internal check valve bi-flow, balanced port, with 3/8" Chatleff threaded refrigerant distributor, externally equalized. Ready for operation in heat pump mode.				8-Ton, 12.5-Ton, solder connections, non-biflow, balanced port, no bleed, externally equalized. Heat Pump Kit required for operation in heat pump mode.	
R-410A TXV Type - Dual Circuit	2-Ton, 3-Ton 4-Ton and 5-Ton TXV's: Chatleff connection, internal check valve bi-flow, balanced port, with 3/8" Chatleff threaded refrigerant distributor, externally equalized. Ready for operation in heat pump mode.				4-Ton, 5-Ton, solder connections, internal check valve bi-flow, balanced port, no bleed, externally equalized. Ready for operation in heat pump mode.	

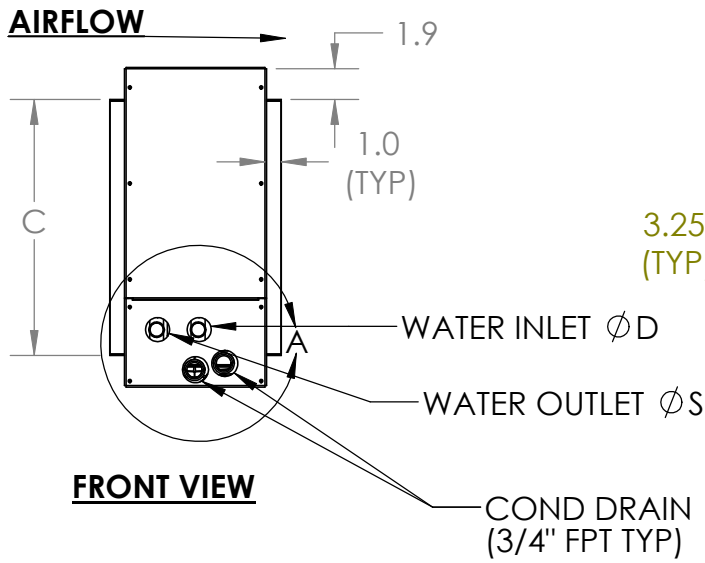
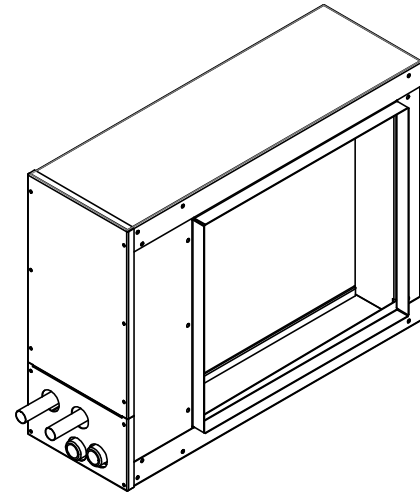
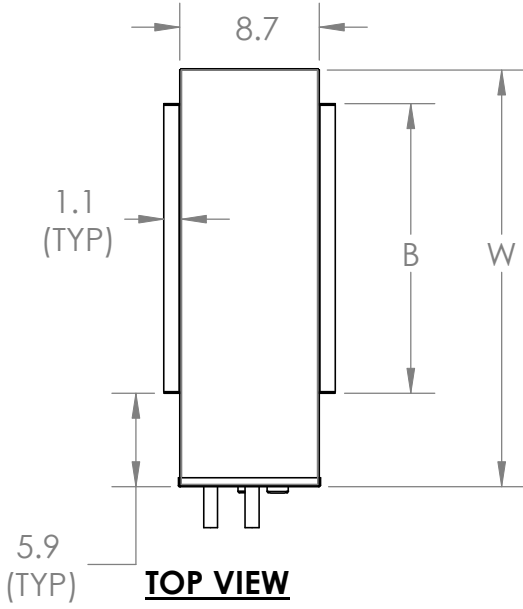
## Air Pressure Drop

### H-Series Model HWB

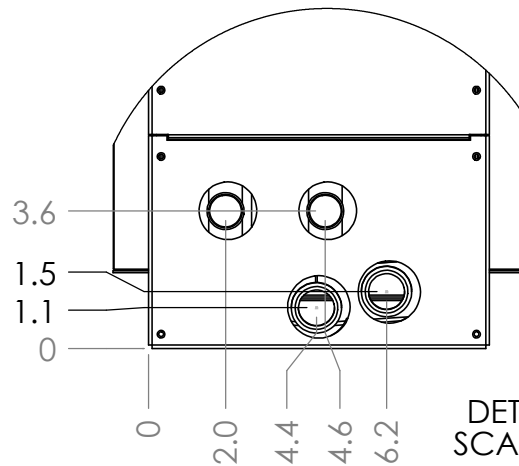
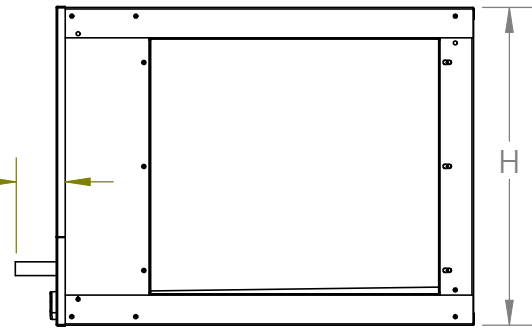
Model	Airflow (CFM)	Face Velocity (FPM)	APD (in w.g.)	Model	Airflow (CFM)	Face Velocity	APD (in w.g.)
<b>HWBA08</b> (Face Area 2.00SF)	600	300	0.13	<b>HWBA20</b> (Face Area 5.00SF)	1500	300	0.13
	640	320	0.15		1575	315	0.14
	680	340	0.17		1650	330	0.16
	720	360	0.19		1725	345	0.17
	760	380	0.21		1800	360	0.19
	800	400	0.23		1750	350	0.18
	840	420	0.26		1825	365	0.19
	880	440	0.28		1900	380	0.21
	920	460	0.31		1975	395	0.23
	960	480	0.34		2050	410	0.24
	1000	500	0.36		2125	425	0.26
<b>HWBA12</b> (Face Area 3.06SF)	900	294	0.12	<b>HWBA30</b> (Face Area 6.25SF)	2250	360	0.19
	930	304	0.13		2325	372	0.20
	960	314	0.14		2400	384	0.21
	990	324	0.15		2475	396	0.23
	1020	333	0.16		2550	408	0.24
	1050	343	0.17		2625	420	0.26
	1080	353	0.18		2700	432	0.27
	1110	363	0.19		2775	444	0.29
	1140	373	0.20		2850	456	0.30
	1170	382	0.21		2925	468	0.32
	1200	392	0.22		3000	480	0.34
<b>HWBA16</b> (Face Area 4.17SF)	1200	288	0.12	<b>HWBA40</b> (Face Area 9.38SF)	3000	320	0.15
	1240	297	0.13		3100	331	0.16
	1280	307	0.14		3200	341	0.17
	1320	317	0.14		3300	352	0.18
	1360	326	0.15		3400	363	0.19
	1400	336	0.16		3500	373	0.20
	1440	345	0.17		3600	384	0.21
	1480	355	0.18		3700	395	0.23
	1520	365	0.19		3800	405	0.24
	1560	374	0.20		3900	416	0.25
	1600	384	0.21		4000	427	0.26

**NOTES:**

1. All values are in inches wc.
2. All pressure drops are with dry coil.



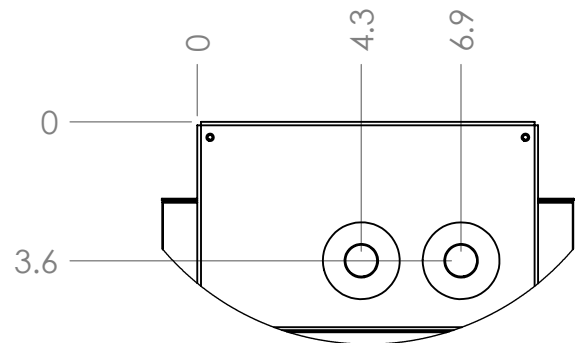
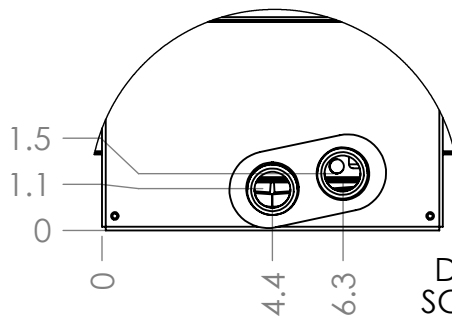
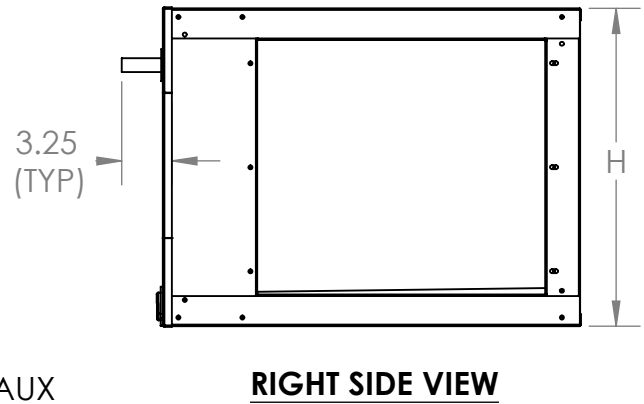
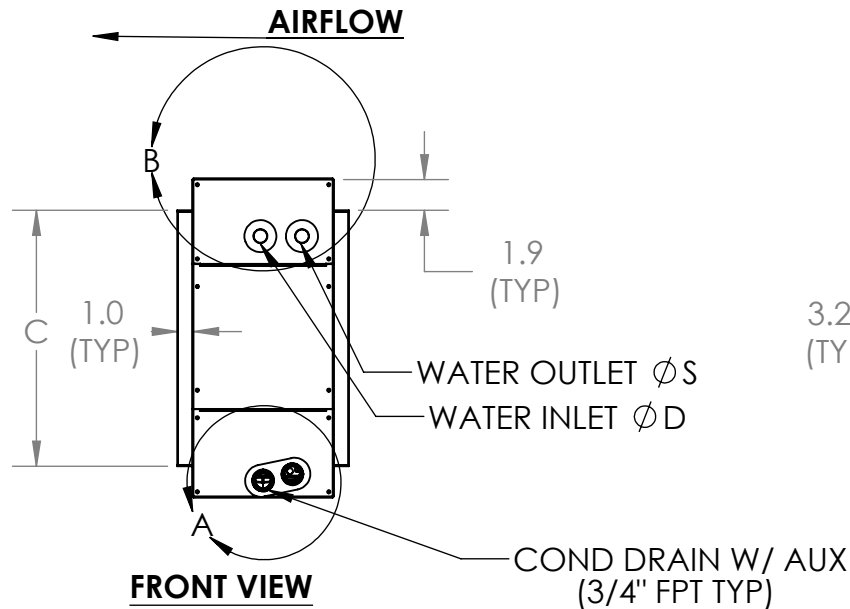
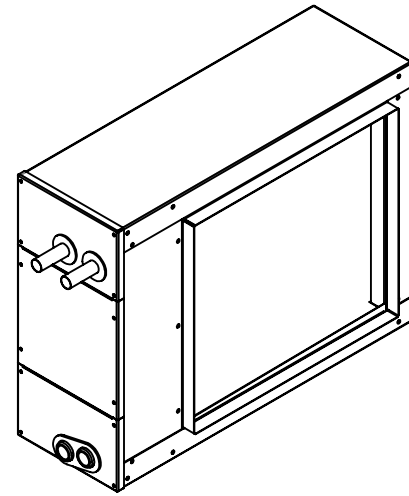
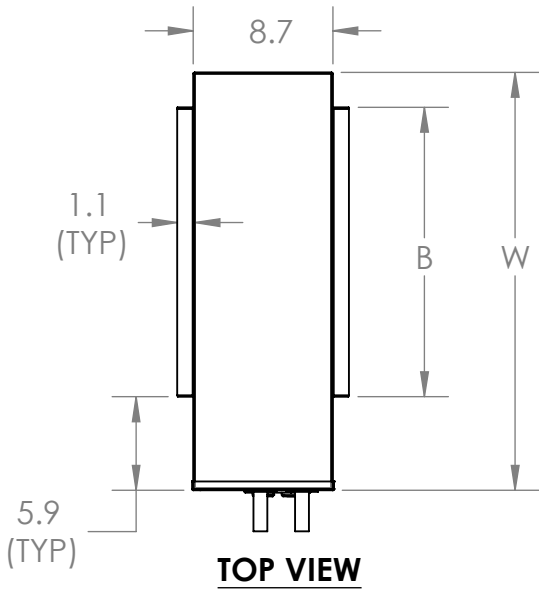
3.25 (TYP)



UNITS	DUCT DIM		CONN SIZE (OD)		OVERALL DIM	
	B	C	D	S	H	W
HWB08	18.1	16.0	0.875	0.875	19.9	26.1
HWB12	27.6	16.0	0.875	0.875	19.9	35.6
HWB16	30.1	19.7	1.125	1.125	23.7	38.1
HWB20	30.1	24	1.125	1.125	27.9	38.1

**NOTE:**

**ALL DIMENSIONS ARE IN INCHES.**



UNITS	DUCT DIM		CONN SIZE (OD)		OVERALL DIM	
	B	C	D	S	H	W
HWB08	18.1	16.0	0.875	0.875	19.9	26.1
HWB12	27.6	16.0	0.875	0.875	19.9	35.6
HWB16	30.1	19.7	1.125	1.125	23.7	38.1
HWB20	30.1	24	1.125	1.125	27.9	38.1

**NOTE:**

**ALL DIMENSIONS ARE IN INCHES.**

CODE NO.

CATALOG NO.

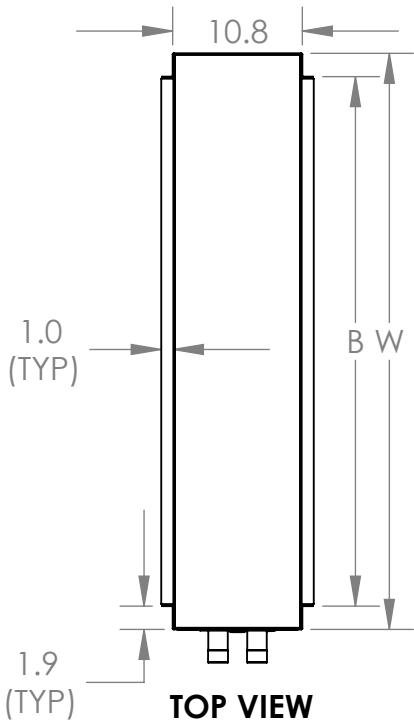
**Magic Aire®**

THIS DOCUMENT IS THE PROPERTY OF UNITED ELECTRIC CO. LP AND IS DELIVERED UPON THE EXPRESS CONDITION THAT THE CONTENTS WILL NOT BE DISCLOSED OR USED WITHOUT UNITED ELECTRIC CO. LP'S WRITTEN CONSENT.

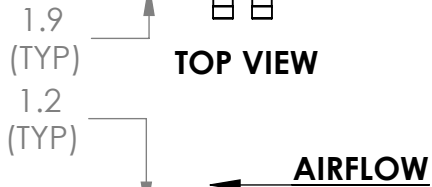
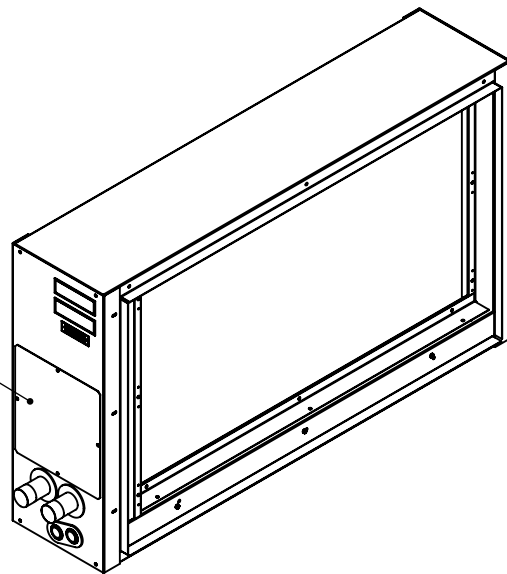
SUBMISSION OF THESE DRAWINGS OR DOCUMENTS DOES NOT CONSTITUTE PART PERFORMANCE OR ACCEPTANCE OF CONTRACT.

**HWB30/40**  
LEFT HAND CONNECTION  
UNIT OUTLINE

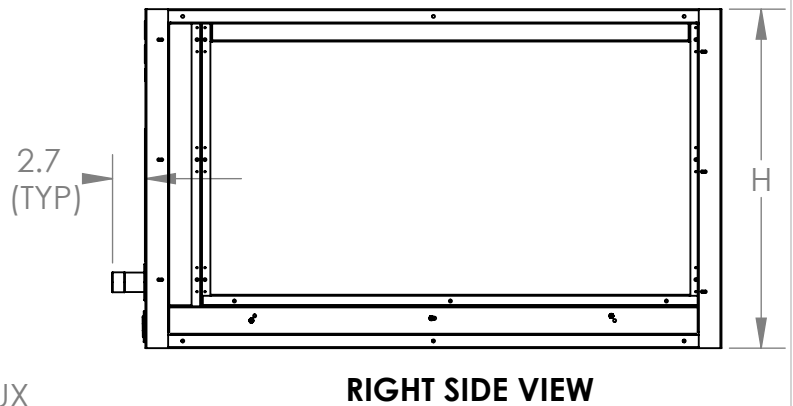
**HWB**



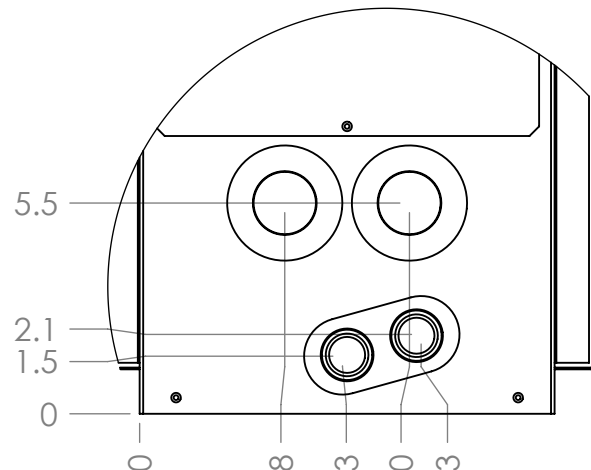
ACCESS DOOR



WATER OUTLET  
Ø 1.625  
WATER INLET  
Ø 1.625  
COND DRAIN W/AUX  
(3/4 FPT TYP)



**FRONT VIEW**



DETAIL A  
SCALE 1 : 5

**NOTE:** ALL DIMENSIONS ARE IN INCHES.

UNIT	DUCT DIM		OVERALL DIM	
	B	C	H	W
HWB-30	44.1	25.9	28.3	48.0
HWB-40	64.1	25.9	28.3	68.0

PRODUCT INFORMATION IS SUBJECT TO CHANGE WITHOUT NOTICE

JOB NAME      JOB #      BUYER      BUYER #      LOCATION

DRAWING NO.  
**HWB-102**

REV  
-

CODE NO.

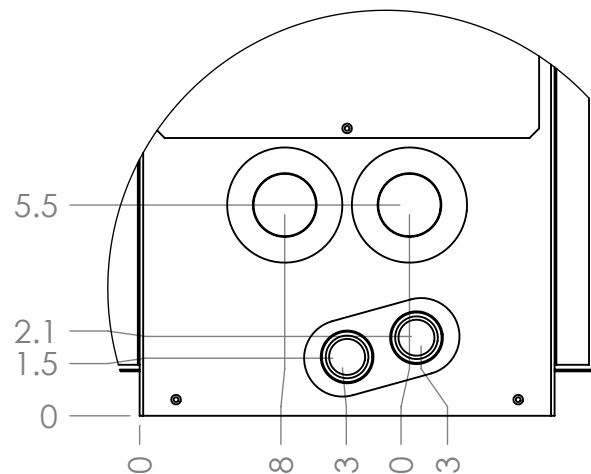
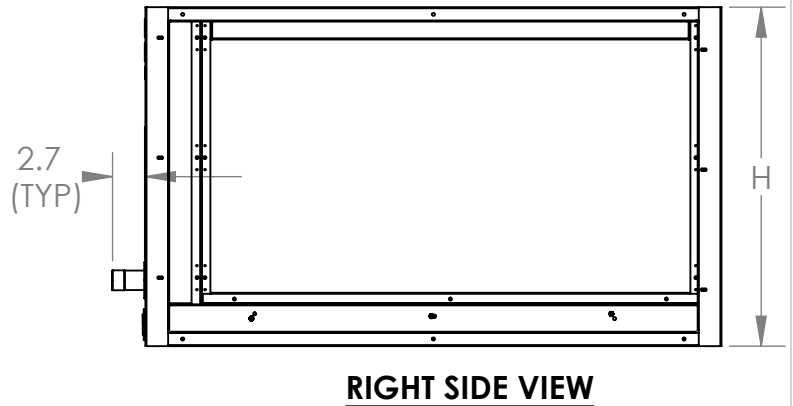
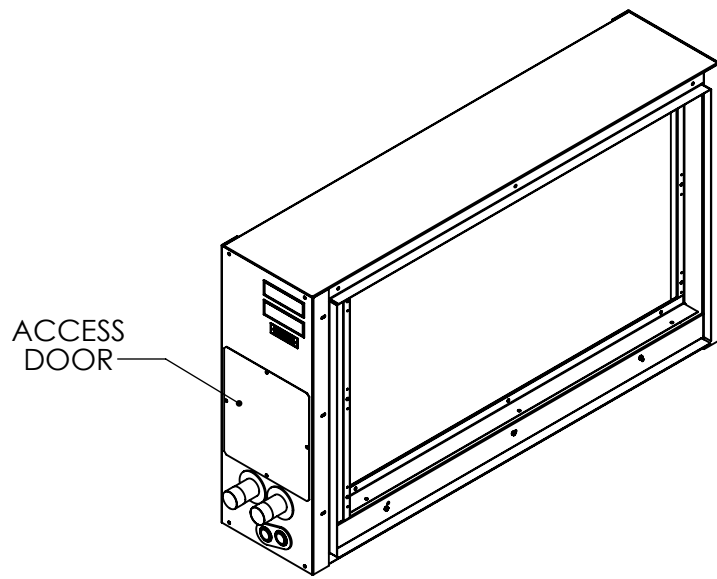
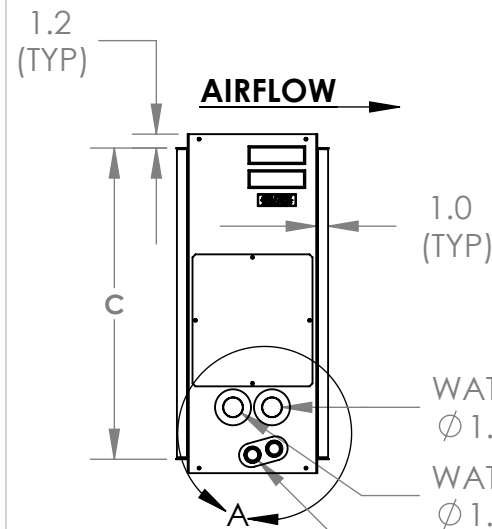
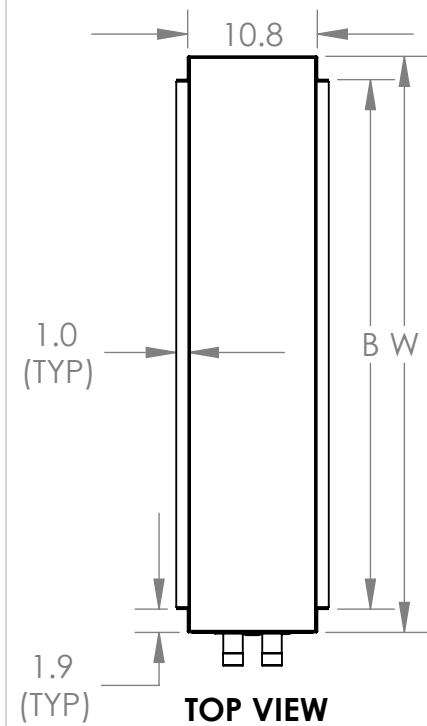
**Magic Aire**<sup>®</sup>

THIS DOCUMENT IS THE PROPERTY OF UNITED ELECTRIC CO. LP AND IS DELIVERED UPON THE EXPRESS CONDITION THAT THE CONTENTS WILL NOT BE DISCLOSED OR USED WITHOUT UNITED ELECTRIC CO. LP'S WRITTEN CONSENT.

SUBMISSION OF THESE DRAWINGS OR DOCUMENTS DOES NOT CONSTITUTE PART PERFORMANCE OR ACCEPTANCE OF CONTRACT.

**HWB30/40**  
RIGHT HAND CONNECTION  
UNIT OUTLINE

**HWB**



DETAIL A  
SCALE 1 : 5

**NOTE:** ALL DIMENSIONS ARE IN INCHES.

UNIT	DUCT DIM		OVERALL DIM	
	B	C	H	W
HWB-30	44.1	25.9	28.3	48.0
HWB-40	64.1	25.9	28.3	68.0

PRODUCT INFORMATION IS SUBJECT TO CHANGE WITHOUT NOTICE

JOB NAME      JOB #      BUYER      BUYER #      LOCATION

DRAWING NO.  
**HWB-103**

REV  
-