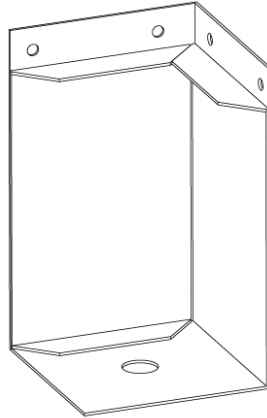
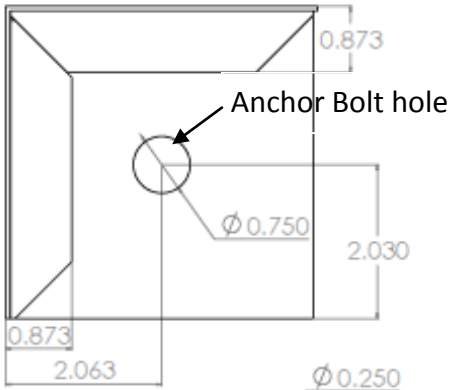


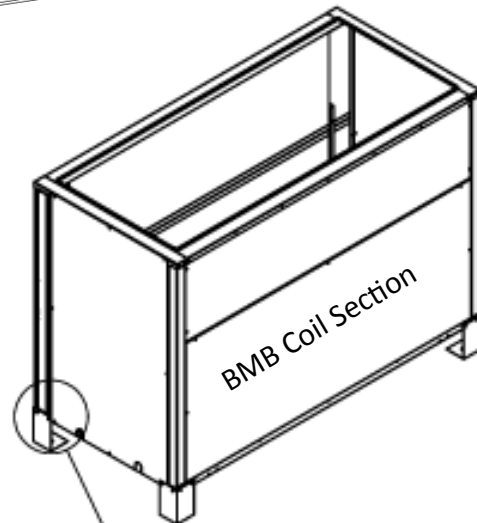
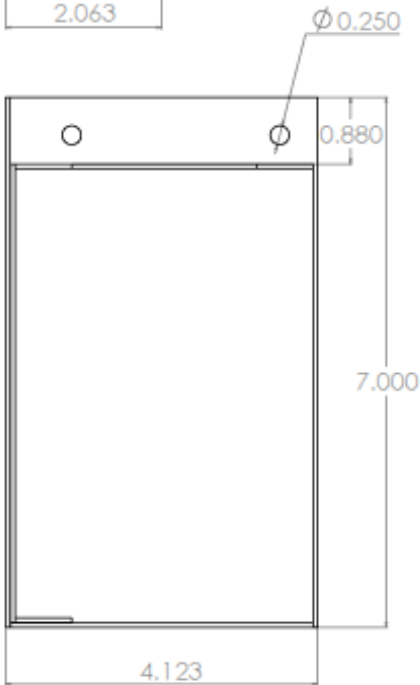


BMB Leg Kit

Leg Kit Accessory



- Kit includes 4ea legs, 16ga x2 Layer, galvanized.
- Installs with field-provided self-drilling screws
- Lifts BMB unit 6.1" above mounting surface



#10 x 3/4" Self drilling sheet metal screws (16 total) field-provided.

