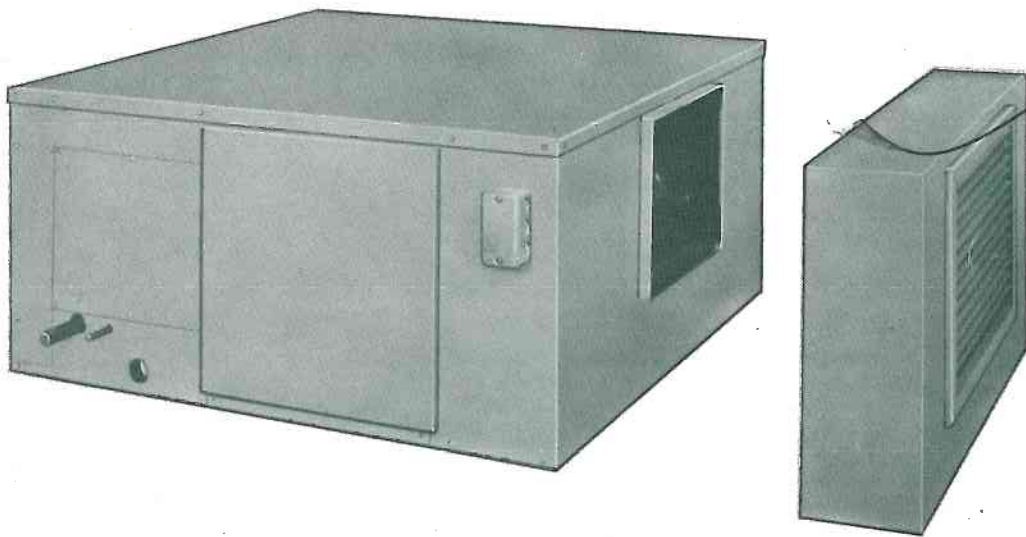


Magic Aire®

Horizontal Direct Expansion Blower Coil Units

Immediate Shipment of Units and Optional Items
is the Trademark of Magic Aire



OPTIONAL ACCESSORIES

- 2 Row Hot Water Heating Coil
- MB Series Mixing Boxes
 - Heat Pump Conversion Kit
 - Four Way Double Deflection Discharge Grille Plenum



MAGIC AIRE DIVISION • UNITED ELECTRIC COMPANY

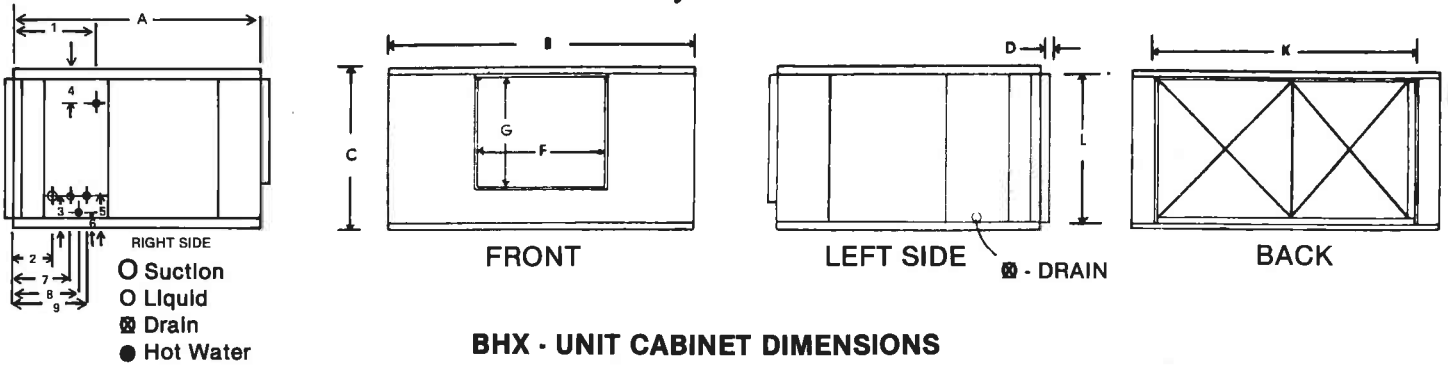
501 GALVESTON ST.

817-767-8333

P.O. BOX 5148

WICHITA FALLS, TEXAS 76307

Magic Aire®



MODEL	UNIT					BLOWER - OPENING OUTLET		Return Duct. Conn.		STUBOUT LOCATIONS FOR STANDARD BHX-4 UNITS									Optional Free Throw Plenum & Grille	
	A	B	C	D	☒	F	G	K	L	1	2	3	4	5	6	7	8	9	Depth	Grille Size
24 BHX-4	37	27	18	1	3/4 FPT	12 5/16	10 7/8	18	16	13 1/4	5 1/4	3 1/2	2 3/4	3 3/4	1 1/4	7 3/4	10	12 1/8	6	12 x 16
36 BHX-4	37	36 1/2	18	1	3/4 FPT	12 5/16	10 7/8	27 1/2	16	13 1/4	5 1/4	3 1/2	2 3/4	3 3/4	1 1/4	7 3/4	10	12 1/8	6	12 x 20
48 BHX-4	39	38	22	1	3/4 FPT	13 5/8	11 7/8	29	20	13 1/4	5 1/4	3 1/2	2	3 1/4	1 1/4	7 3/4	10	12 1/8	6	14 x 22
60 BHX-4	42	45	22	1	3/4 FPT	16 1/8	13 15/16	36	20	13 1/4	5 1/4	3 1/2	2	3 1/4	1 1/4	7 3/4	10	12 1/8	6	16 x 24
90 BHX-4	52 1/2	54	27	1	3/4 FPT	19 1/8	16 3/8	45	25	15	5 1/4	4	2 1/4	3 1/4	1 1/4	9 3/4	11 1/2	13 7/8	6	18 x 24
120 BHX-4	52 1/2	57	34	1	3/4 FPT	19 1/8	16 3/8	48	32	14 1/2	5 1/4	3 3/4	3	4 1/8	1 1/4	9 3/8	11 5/8	13 1/2	6	12 x 48
180 BHX-4	57 1/2	67 1/8	42	1	3/4 FPT	2 - 16 1/16	2 - 15 7/8	57 3/4	40 1/4	15	5 5/8	3 7/8	3 1/2	3 7/8	1 1/4	10 3/4	11	13 3/4	6	18 x 48

Optional hot water coils on 24 BHX through 60 BHX, coils are shipped separately for field installation with right hand connections only looking with airflow. Factory installed on 90 BHX through 180 BHX. Factory installation on all models for preheat application. When a hot water coil is installed in a BHX unit, a freeze stat should be installed to prevent the hot water coil from freezing.

SPECIFICATIONS

MODEL	FACE AREA SQ. FT.	ROWS TUBE	NOMINAL RATING IN TONS	BFB MOTOR H.P.	VOLT	PHASE	BLOWER	FILTER	FREON CONNECTION		FRONT GRILLE PLENUM WT.	SHPPG. WT.
									Dist. O.D.	S.L.		
24 BHX-4	2.05	4-3/8	2	1/4	115	1	9-9	16x25	5/8	3/4	20	143
36 BHX-4	3.05	4-3/8	3	1/3	115	1	9-9	16x32	5/8	3/4	24	172
48 BHX-4	4.03	4-3/8	4	1/2	115	1	10-10	2-16x20	5/8	7/8	27	204
60 BHX-4	5.0	4-3/8	5	1/2	115	1	12-12	2-20x20	7/8	1-1/8	31	235
90 BHX-4	7.5	4-1/2	7 1/2	3/4*	230	1	15-15	2-16x25 1-20x25	1-1/8	1-1/8	43	375
120 BHX-4	9.6	4-1/2	10	1*	115/230	1	15-15	3-16x32	1-1/8	1-3/8	60	495
180 BHX-4	13.4	4-1/2	15	1-1/2*	230/460	3	2 (15-12)	2-20x25 4-20x20	1-3/8	1-3/8	82	749

Additional charge for motors other than standard. Grille Adjustable four way directional louvers. Permanent, high velocity filters, standard, except on 180 BHX.

Specifications subject to change without notice. *Base mounted motor, motor shipped separately.

All units shipped with 1" filters with space available for 2" filters.



Internal S.P.-Air Volume-external resistance-RPM-BHP for standard unit

MODEL	INTERNAL S.P.	CFM	.25" ESP		.50" ESP		.75" ESP		1.00" ESP		1.25" ESP		1.50" ESP	
			RPM	BHP	RPM	BHP	RPM	BHP	RPM	BHP	RPM	BHP	RPM	BHP
24 BHX-4	.18	600	742	.17	950	.18	1106	.23	1248	.28	1367	.33	1475	.39
	.22	700	767	.17	969	.21	1131	.26	1267	.32	1395	.38	1500	.44
	.27	800	808	.17	993	.24	1147	.30	1285	.36	1413	.42	1523	.49
	.33	900	850	.21	1022	.27	1169	.33	1300	.40	1344	.47	1543	.54
	.40	1000	906	.24	1056	.31	1200	.38	1322	.45	1452	.52	1571	.61
36 BHX-4	.20	900	721	.17	936	.24	1084	.30	1235	.38	1367	.45	1490	.50
	.23	1050	781	.21	956	.28	1095	.35	1235	.41	1360	.49	1581	.58
	.28	1200	844	.26	995	.33	1122	.41	1252	.48	1371	.57	1486	.66
	.34	1350	900	.36	1038	.40	1160	.48	1281	.56	1395	.66	1505	.75
	.43	1500	978	.41	1095	.49	1214	.58	1329	.67	1433	.75	1539	.84
48 BHX-4	.18	1200	664	.24	800	.32	935	.40	1054	.49	1162	.58	1275	.69
	.23	1400	710	.29	835	.37	961	.46	1066	.55	1164	.65	1276	.74
	.29	1600	768	.36	880	.46	990	.54	1092	.64	1192	.74	1288	.84
	.36	1800	818	.44	930	.53	1033	.64	1126	.74	1218	.85	1310	.95
	.44	2000	883	.55	984	.66	1077	.76	1163	.86	1256	.96	1340	1.09
60 BHX-4	.18	1500	537	.24	677	.34	795	.44	900	.53	1000	.64	1100	.75
	.23	1750	566	.31	700	.41	808	.50	910	.61	1000	.72	1100	.85
	.29	2000	609	.38	726	.48	831	.59	925	.70	1011	.83	1100	.97
	.36	2250	659	.46	758	.57	863	.71	943	.81	1028	.95	1113	1.11
	.44	2500	700	.60	803	.73	886	.82	971	.94	1050	1.10	1131	1.27
90 BHX-4	.19	2250	450	.33	570	.46	675	.60	763	.73	835	.87	917	1.03
	.26	2625	495	.44	592	.57	685	.71	765	.87	848	1.04	918	1.21
	.33	3000	524	.55	620	.70	702	.85	777	1.02	851	1.18	925	1.33
	.40	3375	583	.71	648	.87	722	1.03	791	1.19	865	1.36	933	1.54
	.49	3750	612	.89	685	1.07	750	1.24	817	1.41	886	1.63	949	1.84
120 BHX-4	.26	3000	511	.52	600	.60	680	.82	758	.97	832	1.26	906	1.29
	.34	3500	553	.71	631	.87	708	1.03	777	1.20	847	1.37	915	1.56
	.44	4000	600	.96	685	1.14	742	1.33	803	1.50	844	1.65	933	1.88
	.54	4500	655	1.29	720	1.48	788	1.70	842	1.91	905	2.15	961	2.40
	.66	5000	707	1.69	767	1.91	829	2.16	884	2.40	943	2.66	993	2.91
180 BHX-4	.41	5000	546	1.00	637	1.22	717	1.46	791	1.74	868	2.03	937	2.36
	.48	5500	575	1.18	656	1.46	732	1.75	806	2.05	879	2.36	945	2.68
	.56	6000	606	1.43	684	1.74	755	2.06	824	2.37	892	2.67	952	2.98
	.64	6500	636	1.72	705	2.03	776	2.36	842	2.68	904	2.98	968	3.44
	.73	7000	688	2.08	738	2.39	800	2.70	865	3.03	926	3.46	985	3.89

Shaded area indicates the R.P.M. and C.F.M. range of the standard pulleys. Special pulleys and motors can be factory furnished at an additional charge.



Internal S.P.-Air Volume-external resistance-RPM-BHP for standard unit with optional hot water coil

MODEL	INTERNAL S.P.	CFM	.25" ESP		.50" ESP		.75" ESP		1.00" ESP		1.25" ESP		1.50" ESP	
			RPM	BHP	RPM	BHP	RPM	BHP	RPM	BHP	RPM	BHP	RPM	BHP
24 BHX-4 w/24 HH-2	.27	600	810	.10	1015	.19	1150	.25	1285	.27	1330	.35	1512	.42
	.34	700	870	.14	1050	.23	1210	.27	1330	.35	1446	.41	1550	.47
	.43	800	930	.20	1090	.27	1250	.34	1365	.39	1483	.47	1595	.54
	.53	900	1000	.27	1115	.30	1275	.37	1410	.47	1526	.53	1630	.61
	.64	1000	1050	.30	1125	.34	1325	.47	1445	.53	1567	.61	1667	.69
36 BHX-4 w/36 HH-2	.29	900	821	.20	1000	.26	1140	.33	1280	.36	1414	.42	1530	.53
	.34	1050	867	.24	1021	.31	1159	.38	1290	.45	1414	.53	1533	.61
	.43	1200	932	.31	1070	.38	1205	.45	1324	.53	1441	.62	1557	.72
	.53	1350	1010	.39	1130	.46	1252	.54	1368	.63	1478	.72	1586	.81
	.68	1500	1095	.49	1214	.58	1329	.66	1433	.74	1539	.84	1638	.93
48 BHX-4 w/48 HH-2	.26	1200	715	.26	844	.34	975	.43	1090	.52	1195	.62	1307	.72
	.33	1400	760	.32	885	.41	1004	.50	1108	.59	1209	.69	1317	.81
	.42	1600	824	.41	948	.49	1040	.59	1144	.69	1242	.80	1336	.90
	.52	1800	891	.50	1000	.60	1093	.70	1185	.81	1277	.91	1366	1.02
	.63	2000	960	.63	1055	.74	1148	.84	1237	.95	1320	1.05	1403	1.19
60 BHX-4 w/60 HH-2	.26	1500	594	.28	718	.37	831	.47	938	.57	1035	.67	1126	.78
	.33	1750	622	.35	746	.44	850	.54	946	.65	1041	.76	1139	.91
	.42	2000	671	.43	782	.54	881	.65	971	.76	1057	.90	1150	1.05
	.52	2250	721	.52	829	.64	913	.77	996	.91	1082	1.05	1166	1.23
	.64	2500	780	.71	872	.79	945	.92	1034	1.06	1112	1.24	1190	1.47
90 BHX-4 w/90 HH-2	.28	2250	500	.38	608	.51	709	.64	788	.77	861	.92	940	1.13
	.36	2625	535	.49	630	.63	718	.77	797	.93	879	1.16	947	1.44
	.45	3000	575	.62	660	.77	738	.93	812	1.09	887	1.25	958	1.41
	.57	3375	622	.82	700	.98	769	1.14	841	1.30	912	1.47	977	1.69
	.67	3750	663	1.01	731	1.17	797	1.34	866	1.56	931	1.79	993	2.01
120 BHX-4 w/120 HH-2	.35	3000	543	.57	626	.70	709	.87	785	1.06	859	1.38	831	1.69
	.44	3500	588	.76	666	.94	735	1.10	803	1.27	876	1.44	940	1.66
	.57	4000	644	1.06	712	1.24	775	1.42	839	1.63	905	1.84	966	2.07
	.70	4500	700	1.42	765	1.62	821	1.84	883	2.06	941	2.32	1000	2.60
	.85	5000	754	1.86	812	2.09	871	2.35	929	2.60	986	2.86	1035	3.14
180 BHX-4 w/180 HH-2	.50	5000	561	1.07	666	1.31	744	1.56	818	1.84	896	2.14	960	2.47
	.58	5500	609	1.29	688	1.57	762	1.87	835	2.18	907	2.49	970	2.80
	.68	6000	645	1.57	719	1.89	788	2.21	857	2.51	922	2.82	985	3.17
	.78	6500	679	1.90	747	2.23	813	2.53	878	2.85	941	3.24	1002	3.69
	.89	7000	715	2.27	779	2.59	842	2.90	904	3.31	964	3.74	1021	4.19

Shaded area indicates the R.P.M. and C.F.M. range of the standard pulleys. Special pulleys and motors can be factory furnished at an additional charge.



DIRECT EXPANSION COOLING CAPACITIES

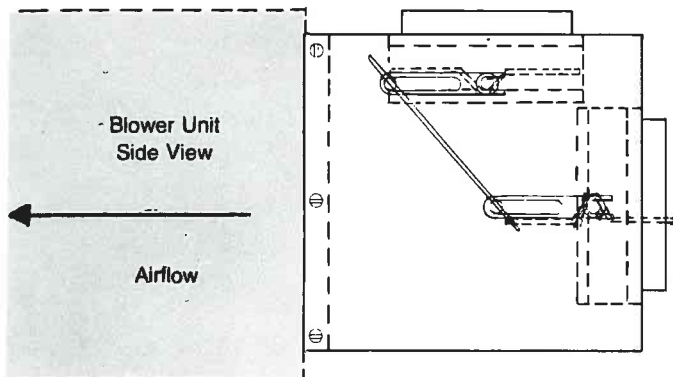
		85°F DB/71°F WB ENT AIR				80°F DB/67°F WB ENT AIR				75°F DB/63°F WB ENT AIR			
SUCT TEMP	CFM	TOTAL MBH	SENS MBH	LVG AIR °F		TOTAL MBH	SENS MBH	LVG AIR °F		TOTAL MBH	SENS MBH	LVG AIR °F	
				DB	WB			DB	WB			DB	WB
24-BHX-4 (STD. 4 ROW COIL)													
40°	600	31.3	17.9	57.6	55.2	26.1	16.3	55.1	52.9	20.8	14.4	53.0	51.0
	800	36.5	21.5	60.4	57.5	30.5	19.5	57.6	54.9	24.4	17.4	55.1	52.6
	1000	40.6	24.4	62.6	59.2	33.8	22.3	59.5	56.4	27.0	19.8	56.8	53.9
45°	600	26.9	16.2	60.2	57.8	21.7	14.5	57.8	55.6	16.7	12.7	55.6	53.6
	800	31.3	19.5	62.6	59.7	25.2	17.5	59.9	57.2	19.5	15.3	57.4	54.9
	1000	35.1	22.5	64.4	61.0	28.1	20.2	61.5	58.4	21.6	17.7	58.8	55.9
50°	600	22.2	14.5	62.8	60.4	17.2	12.8	60.4	58.2	12.4	11.0	58.2	56.2
	800	25.8	17.6	64.8	61.9	20.1	15.6	62.1	59.4	14.5	13.4	59.6	57.1
	1000	28.7	20.3	66.4	63.0	22.3	18.1	63.4	60.3	16.1	15.6	60.7	57.8
36-BHX-4 (STD. 4 ROW COIL)													
40°	900	46.7	27.0	57.5	55.3	39.1	24.5	55.0	52.9	31.2	21.7	52.9	51.0
	1200	55.1	32.4	60.2	57.4	46.0	29.6	57.4	54.8	36.9	26.3	54.9	52.5
	1500	61.9	37.0	62.4	59.0	51.6	33.8	59.3	56.2	41.0	29.9	56.7	53.8
45°	900	40.3	24.5	60.0	57.8	32.3	21.8	57.8	55.7	24.8	19.0	55.6	53.7
	1200	47.3	29.6	62.4	59.6	38.2	26.6	59.7	57.1	29.5	23.3	57.2	54.8
	1500	53.1	33.8	64.3	60.9	42.5	30.4	61.4	58.3	32.7	26.7	58.7	55.8
50°	900	33.3	22.0	62.6	60.4	25.8	19.3	60.3	58.2	18.6	16.6	58.1	56.2
	1200	39.1	26.7	64.6	61.8	30.5	23.7	61.9	59.3	22.1	20.4	59.4	57.0
	1500	43.5	30.6	66.3	62.9	33.9	27.3	63.3	60.2	24.6	23.5	60.6	57.7
48-BHX-4 (STD. 4 ROW COIL)													
40°	1200	63.0	36.0	57.5	55.1	52.5	32.7	55.0	52.8	41.9	28.9	52.9	50.9
	1600	73.5	43.1	60.3	57.4	61.3	39.2	57.5	54.8	49.2	34.9	55.0	52.5
	2000	81.9	49.1	62.5	59.1	68.3	44.9	59.4	56.3	54.6	39.9	56.7	53.8
45°	1200	54.1	32.6	60.1	57.7	43.7	29.2	57.7	55.5	33.4	25.4	55.6	53.6
	1600	63.1	39.2	62.5	59.6	51.0	35.2	59.8	57.1	39.4	30.9	57.3	54.8
	2000	70.2	44.9	64.4	61.0	56.7	40.5	61.4	58.3	43.7	35.5	58.7	55.8
50°	1200	44.7	29.2	62.7	60.3	34.7	25.8	60.3	58.1	25.2	22.1	58.1	56.1
	1600	52.1	35.4	64.7	61.8	40.6	31.4	62.0	59.3	29.4	27.0	59.5	57.0
	2000	58.1	40.8	66.3	62.9	45.2	36.4	63.3	60.2	32.8	31.4	60.6	57.7
60-BHX-4 (STD. 4 ROW COIL)													
40°	1500	78.4	44.8	57.6	55.2	65.2	40.7	55.1	52.9	52.0	36.0	53.0	51.0
	2000	91.4	53.6	60.4	57.5	76.7	48.8	57.6	54.9	61.0	43.4	55.1	52.6
	2500	101.6	61.0	62.6	59.2	84.6	55.9	59.5	56.4	67.6	49.6	56.8	53.9
45°	1500	67.2	40.5	60.2	57.8	54.2	36.3	57.8	55.6	41.8	31.7	55.6	53.6
	2000	78.2	48.8	62.6	59.7	63.1	43.8	59.9	57.2	48.7	38.4	57.4	54.9
	2500	87.8	56.1	64.4	61.0	70.2	50.4	61.5	58.4	53.9	44.1	58.8	55.9
50°	1500	55.4	36.3	62.8	60.4	43.0	32.0	60.4	58.2	31.1	27.5	58.2	56.2
	2000	64.5	44.0	64.8	61.9	50.1	39.0	62.1	59.4	36.3	33.6	59.6	57.1
	2500	71.8	50.7	66.4	63.0	55.7	45.2	63.4	60.3	40.3	39.0	60.7	57.8



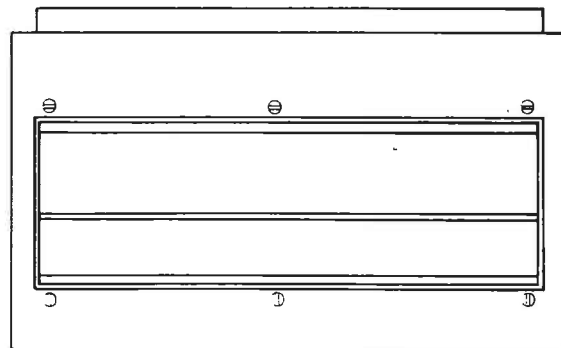
DIRECT EXPANSION COOLING CAPACITIES

		85°F DB/71°F WB ENT AIR				80°F DB/67°F WB ENT AIR				75°F DB/63°F WB ENT AIR			
SUCT TEMP	CFM	TOTAL MBH	SENS MBH	LVG AIR °F		TOTAL MBH	SENS MBH	LVG AIR °F		TOTAL MBH	SENS MBH	LVG AIR °F	
				DB	WB			DB	WB			DB	WB
90-BHX-4 (STD. 4 ROW COIL)													
40°	2250	127.9	73.1	55.2	53.5	106.6	66.2	53.0	51.4	85.4	58.6	51.1	49.7
	3000	150.0	88.0	58.1	56.0	124.7	79.8	55.6	53.6	100.2	71.0	53.3	51.5
	3750	168.1	100.1	60.5	57.8	139.7	91.2	57.7	55.2	111.5	80.9	55.2	52.9
45°	2250	109.9	66.0	58.1	56.4	88.1	58.6	56.1	54.5	68.1	51.3	54.1	52.7
	3000	129.2	80.1	60.5	58.4	103.3	71.3	58.2	56.2	79.5	62.5	55.9	54.1
	3750	144.5	91.6	62.6	59.9	116.1	82.2	59.9	57.4	89.3	71.9	57.4	55.1
50°	2250	90.1	58.6	61.1	59.4	70.4	51.7	58.9	57.3	51.0	44.4	56.9	55.5
	3000	106.2	71.9	63.0	60.9	83.4	63.4	60.6	58.6	59.5	54.6	58.3	56.5
	3750	118.6	82.6	64.8	62.1	91.6	73.2	62.1	59.6	66.8	63.4	59.5	57.2
120-BHX-4 (STD. 4 ROW COIL)													
40°	3000	167.3	96.1	55.6	53.9	139.9	87.3	53.3	51.7	111.6	77.2	51.4	50.0
	4000	197.6	116.0	58.4	56.2	165.2	105.5	55.8	53.7	131.6	93.3	53.6	51.7
	5000	218.3	131.3	60.9	58.2	182.0	119.9	58.0	55.5	146.0	106.8	55.4	53.1
45°	3000	143.9	87.0	58.4	56.7	115.8	77.5	56.3	54.7	89.2	67.7	54.3	52.9
	4000	169.7	105.5	60.8	58.6	136.6	94.2	58.4	56.3	104.9	82.4	56.1	54.2
	5000	187.9	120.4	62.9	60.2	150.5	107.9	60.2	57.7	116.1	94.8	57.6	55.3
50°	3000	118.3	77.5	61.3	59.6	92.1	68.3	59.1	57.5	66.4	58.5	57.1	55.7
	4000	140.4	95.0	63.2	61.0	108.7	83.7	60.8	58.7	78.3	71.9	58.5	56.6
	5000	154.8	109.0	65.0	62.3	120.6	97.0	62.2	59.7	87.8	83.9	59.6	57.3
180-BHX-4 (STD. 4 ROW COIL)													
40°	5000	273.4	159.7	55.7	54.3	227.9	145.0	53.4	52.1	182.3	128.1	51.5	50.3
	6000	301.6	179.2	57.6	55.9	251.1	162.8	55.1	53.5	200.3	144.5	52.9	51.5
	7000	323.8	196.1	59.3	57.3	268.4	178.5	56.6	54.8	215.5	158.7	54.2	52.5
45°	5000	234.2	144.4	58.5	57.1	189.0	129.2	56.3	55.0	146.0	112.8	54.3	53.1
	6000	258.4	162.8	60.1	58.4	208.4	145.8	57.7	56.1	160.9	128.2	55.4	54.0
	7000	275.9	178.5	61.6	59.6	223.0	161.0	58.9	57.1	172.3	141.2	56.5	54.8
50°	5000	194.2	129.7	61.2	59.8	150.5	114.5	59.0	57.7	109.1	98.1	57.0	55.8
	6000	212.5	146.5	62.6	60.9	164.7	129.5	60.2	58.6	120.7	112.5	57.8	56.4
	7000	228.0	161.8	63.8	61.8	177.7	144.2	61.1	59.3	128.8	124.4	58.7	57.0

**OPTIONAL ACCESSORIES
FOR BHX SERIES
MIXING BOXES AND HOT WATER COILS**

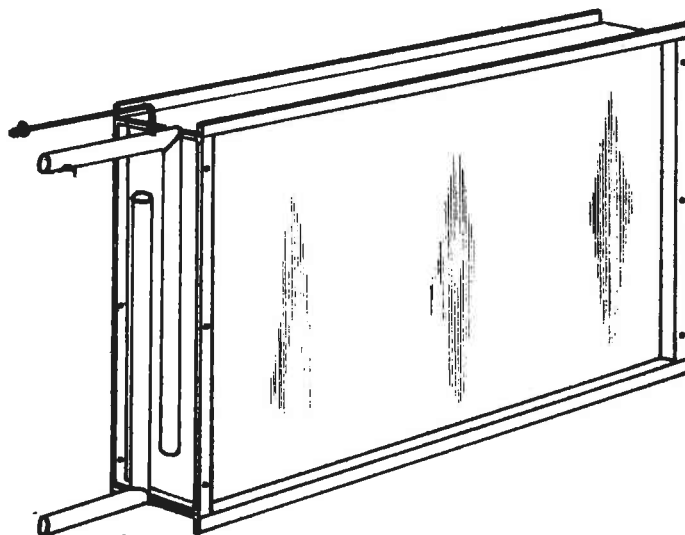


Mixing Box
Side View



Mixing Box
Rear View

Mixing Box -- for use with model BHX 2 through 15 tons



**Typical horizontal hot water coil--series HH-2 for use with
model BHX 2 through 15 tons**

**See separate mixing box and horizontal hot water specification sheets
for capacity data, dimensions and features**



FEATURES

1. Coils of aluminum fin-copper tube
2. Permanently lubricated ball bearing blowers
3. Forward curve blower wheels factory balanced
4. Belt drive blowers
5. Standard motors have overload protection
6. Adjustable motor pulleys
7. Tapered hub type blower pulleys
8. Fully insulated with 3/4" fiberglass with "R" value equal 3.26
9. 1" filters standard on units with space available for 2" filters
10. 24-BHX through 60-BHX have 3/8" NC thread spotweld nuts in each corner of top panel for easy suspension--90-BHX through 180-BHX have 7/8" knockouts in each corner of top and bottom panels for suspension rods to pass through
11. **Units now have 4-row coils** with space for separate hot water coil
12. Suction, liquid and hot water coil stubouts located only on right side with drain located on both sides
13. All units **stocked with valves mounted** - - with side port distributors
14. Optional heat pump conversion kit available for field mounting

All units UL listed for cooling with submittal in process for hot water heating listing