



INSTALLATION INSTRUCTION
MOAD 0-100% MOTORIZED OUTSIDE AIR DAMPER
 010-225015-000/010-225011-000/010-225012/010-225013-000

Part#	Unit Model
010-225015-000	MOAD-08/12
010-225011-000	MOAD-16/20
010-225012-000	MOAD-30/40
010-225013-000	MOAD-60

Step 1:

Check for correct number of parts. See list below and **Figure 1**.

- 1 ea. – Hood Top
- 2 ea. – Hood Sides
- 2 ea. – Filter Channel
- 1 ea. – Filter
- 1 ea. – Filter Access Panel
- 1 ea. – Door Panel w/ OA Slide and Motorized Damper
- 1 ea. – Adapter Panel (if necessary)
- 1 ea. – Hardware Bag

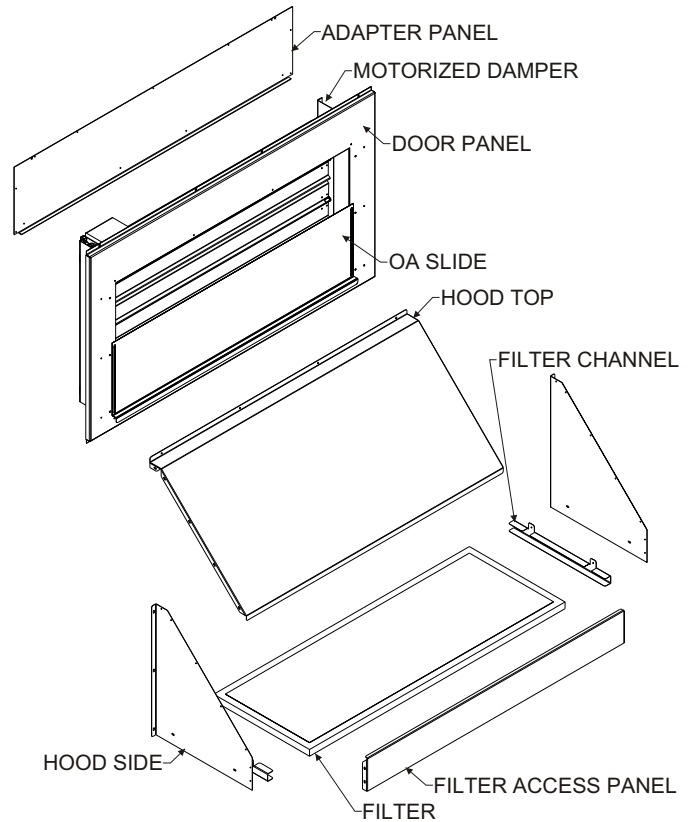


Figure 1

Step 2:

Assemble outdoor air hood. **See Figure 2.**

- A. Secure the filter channels to the hood sides using the supplied #10-16 x ½ screws.
- B. Place the hood sides to the inside of the side flange of the hood top and secure with the supplied #10-16 x ½ screws.
- C. Slide the filter inside the filter channels.
- D. Place the filter access panel over the hood side panels and secure with #10-16 x ½ screws.

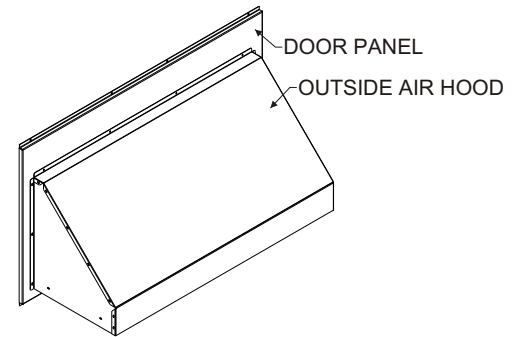


Figure 2

Step 3:

Adjust the position of the O/A slides on the door panel to determine the amount of fresh air provided to the unit. **See Figure 1.** Remove the slides for 100% outdoor air. After the slides are in the desired position, Secure the outdoor air hood to the door panel using the provided #10-16 x ½ screws. **See Figure 2.**

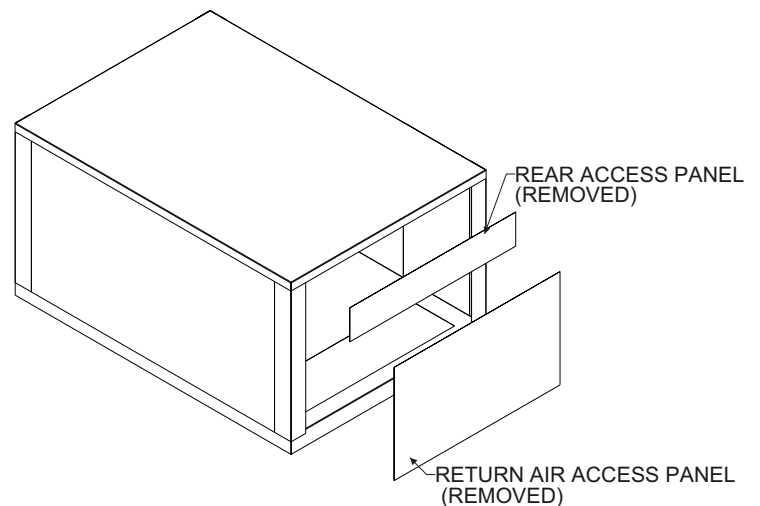


Figure 3

Step 4:

Remove the return air access panel from unit and the rear access panel(s) if applicable as shown in **Figure 3**.

Step 5:

Locate the adapter panel (if necessary). Position the adapter panel at the top of the return air access panel under the rooftop unit top panel. Secure the adapter panel to the rooftop unit using the supplied #10-16 x ½ screws. **See Figure 4.**

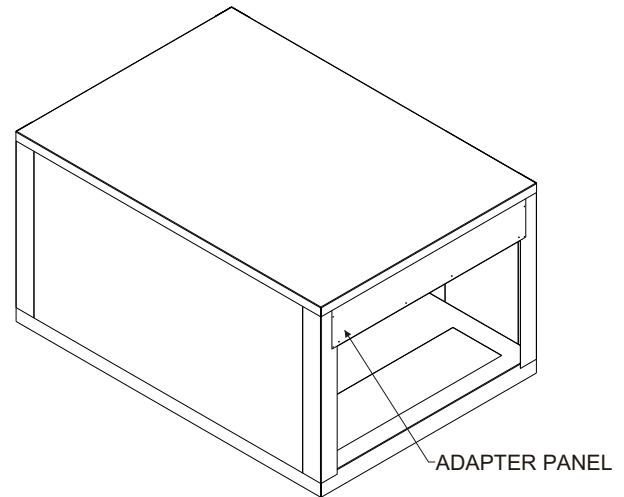


Figure 4

Step 6:

Center the door panel over the return air access opening. Align the holes in the top and bottom of the door panel to the holes in the rooftop unit. Secure the door panel to the unit using the provided #10-16 x ½ screws. **See Figure 5.**

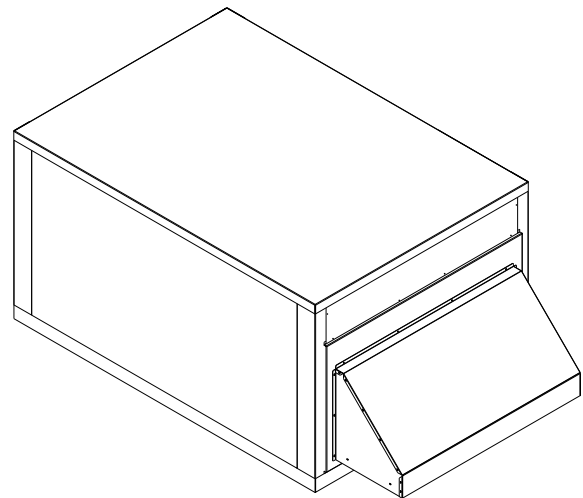


Figure 5

Step 7:

Wire motorized damper per wiring diagram.

HARNESS DETAIL

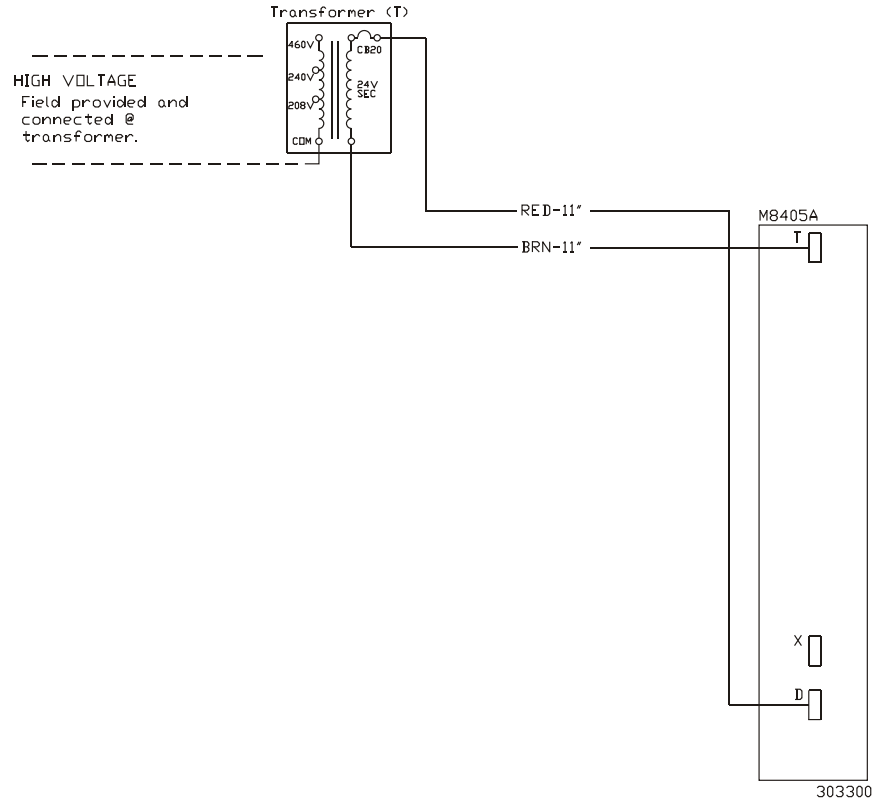
COMPONENT CODE

WIRE COLOR CODE

Economizer

M8405A Damper Actuator 24V
T Transformer

BRN Brown
RED Red



Notes:

1. Unit wiring shown as reference only. Check unit wiring for actual unit wiring.

**0-100% Motorized Outside Air Damper for
010-225015-000 / 010-225011-000
010-225012-000 / 010-225013-000**

Magic Aire
501 Galveston Street
Wichita Falls, TX 76301
Phone (940) 397-2100
Fax (940) 397-2166

Date: July 12, 2005

Supercedes:

Drawn by:

Unit # 010-225004-***

Diagram# 30201W