



INSTALLATION INSTRUCTIONS MODULATING HBREP ECONOMIZER 010-225002-024 / 010-225002-048

Economizers are used with 2-5 ton units for automatic sensor-controlled introduction of outdoor air into the system through an electro-mechanically controlled damper.

Part#	Unit Model
010-225002-024	24/36 HBREP
010-225002-048	48/60 HBREP

Step 1:

Check for correct number of parts. See list below.

- 1 ea. - Economizer Assembly
- 1 ea. - Bag Hardware

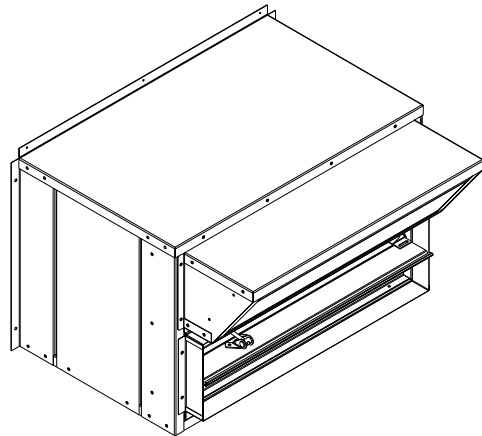


Figure 1

Step 2:

Disconnect all power to unit.

Step 3:

Remove return air access panel from unit and rear access panel(s) if applicable as shown in **Figure 2**.

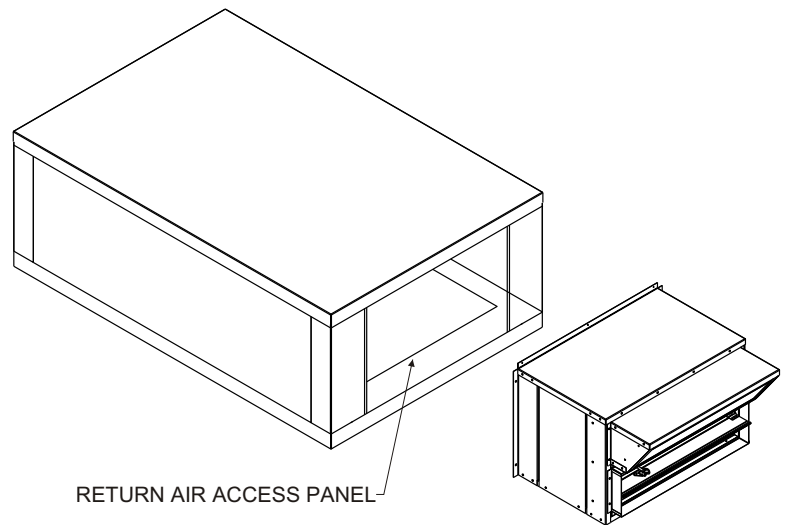


Figure 2

Step 4:

Center Economizer assembly over return opening. Slide economizer assembly fully into unit and secure with the supplied #10 - 16 x 1/2 screws. **See Figure 3.**

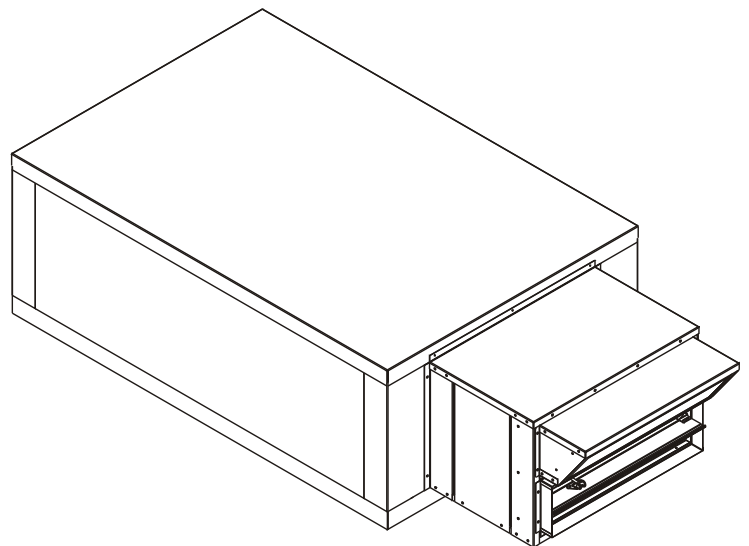


Figure 3

Step 5:

Relocate mixed air sensor (**See Figure 4**) to near the blower inlet. Route wire through unit to terminal block by damper motor.

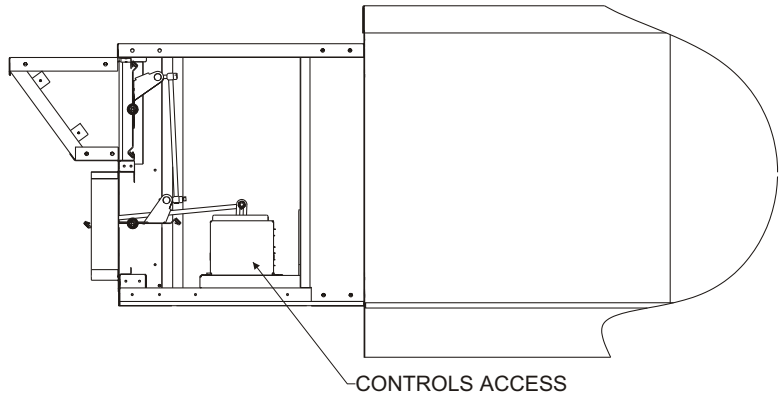


Figure 4

Step 6:

If the barometric relief is to be installed cut a A" x B" hole in the return air duct near Economizer. **See Figure 5.**

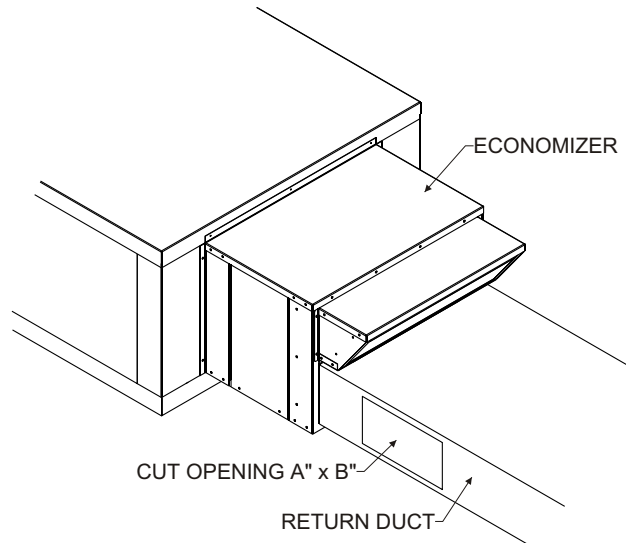


Figure 5

Step 7:

Secure pressure relief damper near Economizer over hole in return air duct using (4) screws. **See Figure 6.**

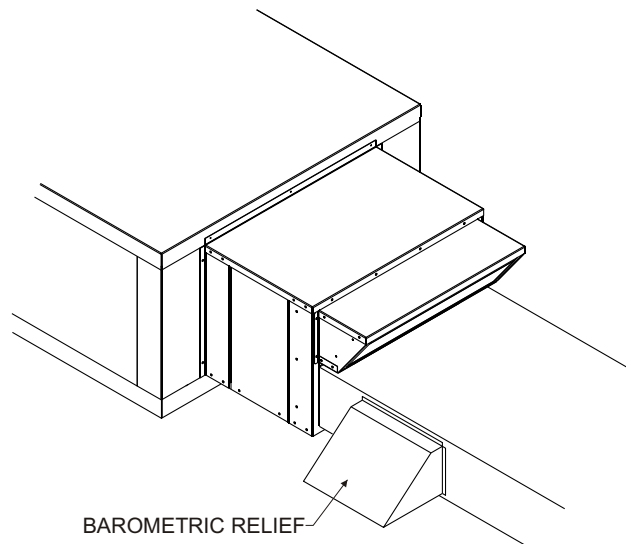
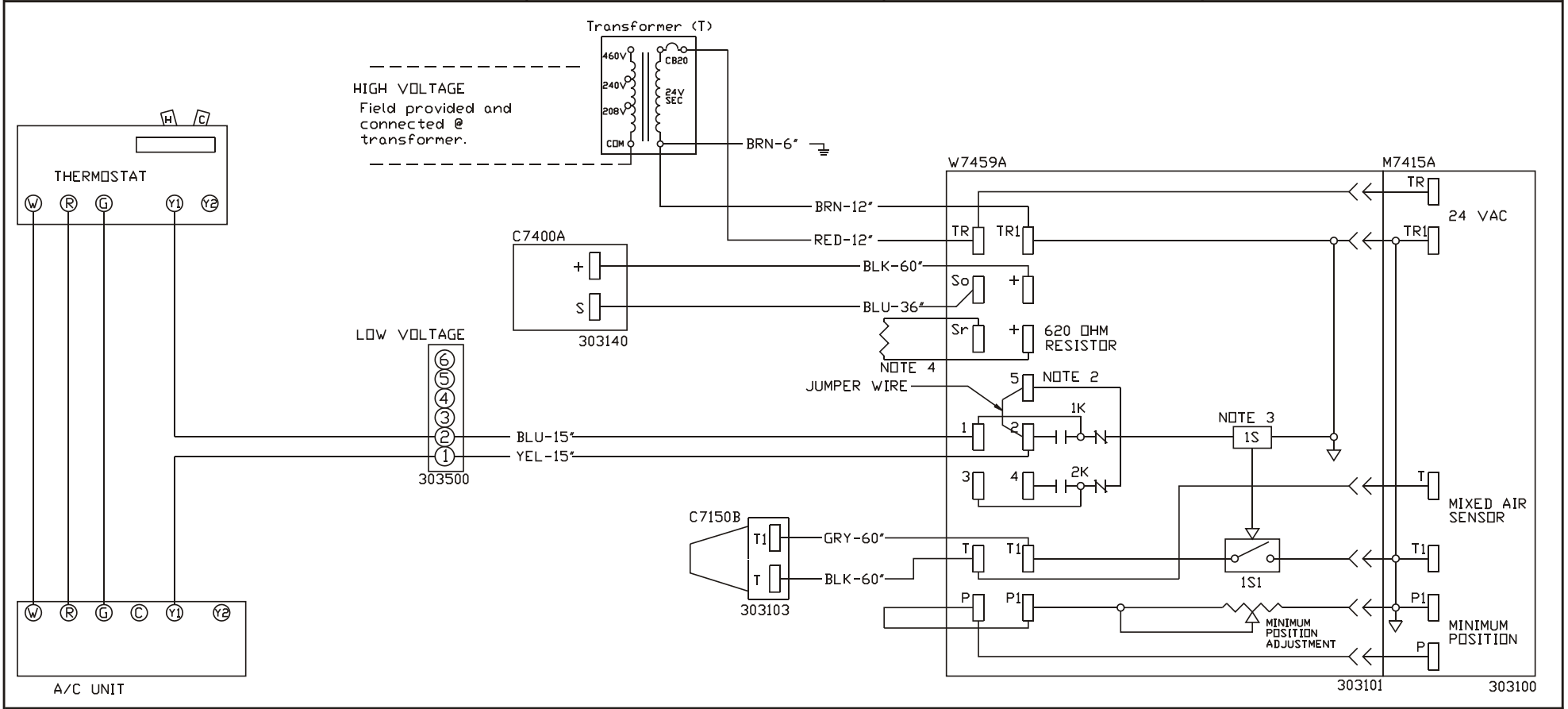


Figure 6

Step 8:

Replace all panels and restore power to the unit.

HARNES DETAIL	COMPONENT CODE	WIRE COLOR CODE	Revision	Change	Date
			A	Added Ground Wire	10-10-05



- Notes:
1. Unit wiring shown as reference only. Check unit wiring for actual unit wiring.
 2. Relays 1K and 2K actuate when the Outdoor Air Enthalpy is higher than the Return Air Enthalpy.
 3. 1S is an electronic switch which closes when powered by a 24 VAC input.
 4. Factory installed resistor should be removed only if C7400 differential enthalpy sensor is added.

**Modulating Horizontal Economizer
for 024-060 HBREP Magic Air Unit**

Magic Aire 501 Galveston Street Wichita Falls, TX 76301 Phone (940) 397-2100 Fax (940) 397-2166	Date: October 10, 2005
	Supersedes: 08-01-05
	Drawn by:
	Unit # 010-225002-***
Diagram# 32401W	