

# Magic Aire®

## FCW SERIES



### VERTICAL WATER COILS

**Nominal 800-2000 CFM  
Heating Cased Coils**



MAGIC AIRE FCW SERIES FAN COILS ARE ETL  
LISTED IN ACCORDANCE WITH UL 1995  
AND ARE ASSEMBLED TO ORDER FOR COMPETITIVE DELIVERY.

**MAGIC AIRE DIVISION, UNITED ELECTRIC CO., L.P.**

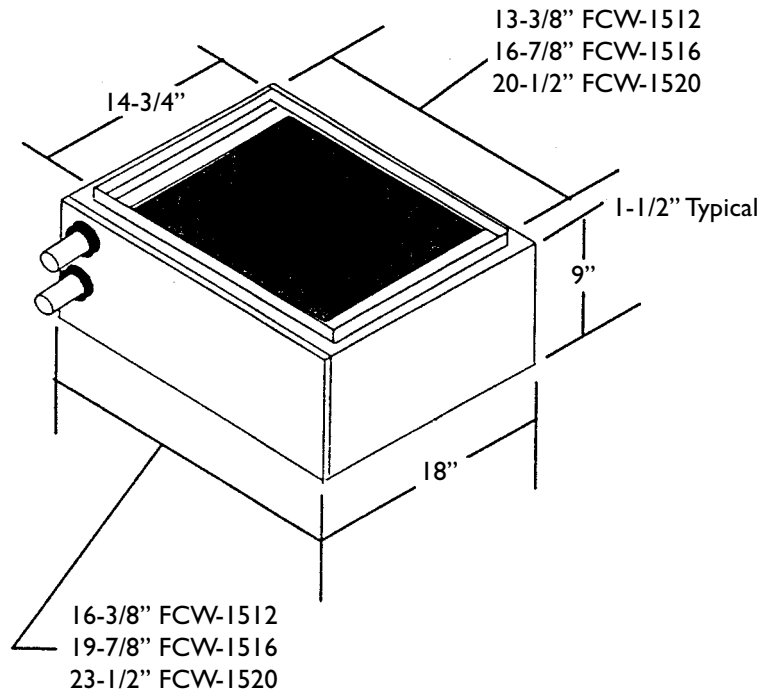
501 Galveston St. • Wichita Falls, Texas 76301 • 940-397-2100 • Fax 940-397-2166

# Magic Aire®

## FCW SERIES

MODEL NO.	NOMINAL CFM	140°F ENTERING WATER TEMPERATURE			180°F ENTERING WATER TEMPERATURE		
		CAPACITY BTU/HR	LEAVING AIR TEMP °F	LEAVING WATER TEMP °F	CAPACITY BTU/HR	LEAVING AIR TEMP °F	LEAVING WATER TEMP °F
FCW-1512	800	33,800	104	132	53,200	126	165
	1000	36,100	99	129	59,300	119	164
FCW-1516	1200	46,800	101	129	73,000	121	162
	1400	50,300	98	126	78,200	117	159
FCW-1520	1600	61,600	99	126	96,100	120	156
	2000	68,000	96	123	105,000	113	153

Performance based on 65 °F entering air, 4 gallons a minute water flow through coil.



### Optional Pump 115V .52 Amp.

