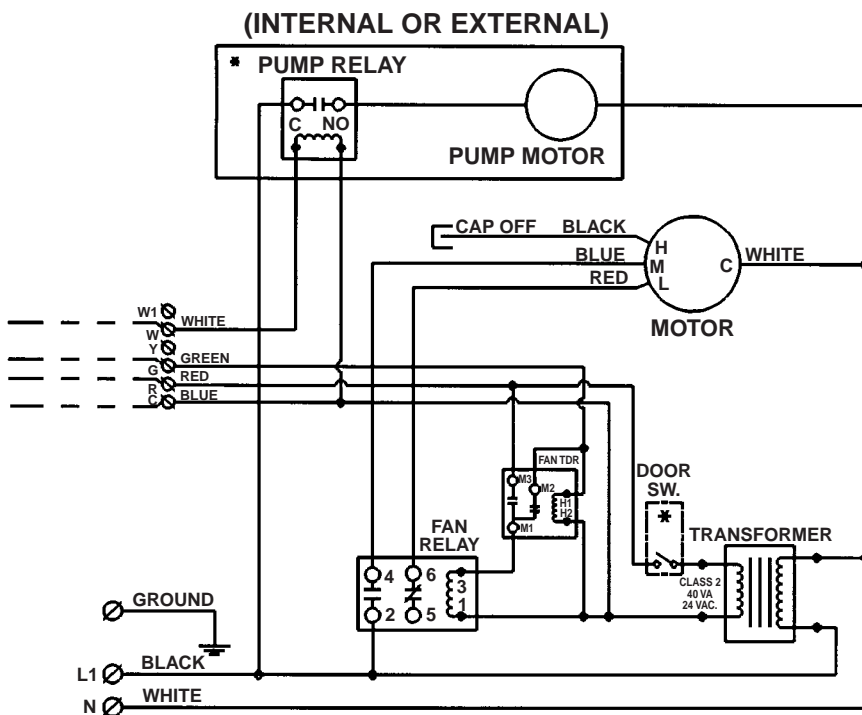


A. STANDARD UNIT

On call for heating the blower motor and hot water pump are energized at the same time.



B. STANDARD UNIT WITH COOLING TIME DELAY RELAY ADDED

Heating same as A. On cooling cycle, a time delay relay is used to increase SEER rating by allowing blower motor to continue running after the condensing unit has shut off.

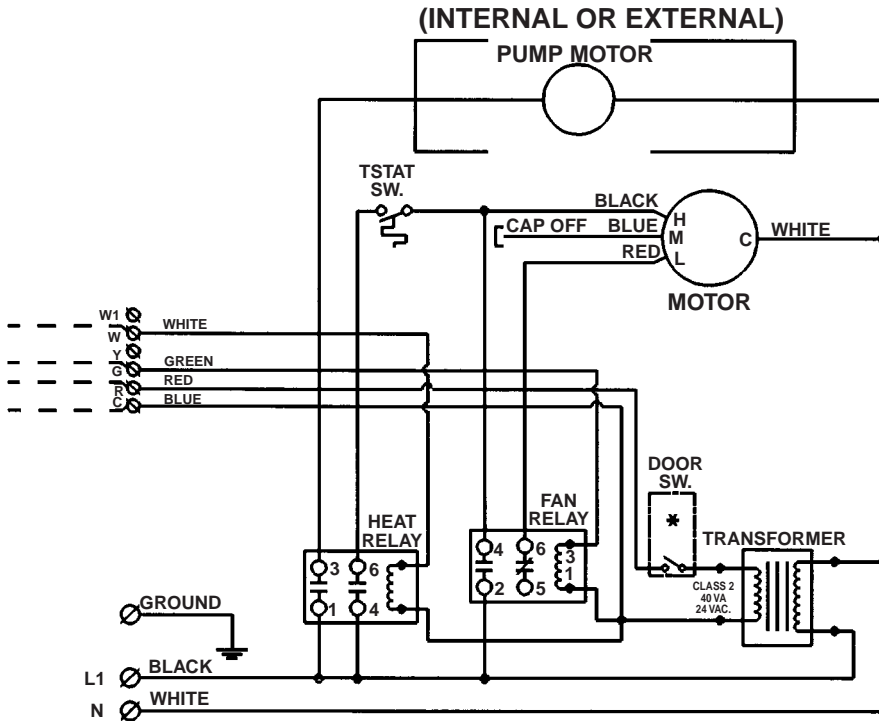
(continued on back)



MAGIC AIRE DUX SERIES FAN COILS ARE ETL
LISTED IN ACCORDANCE WITH UL 1995

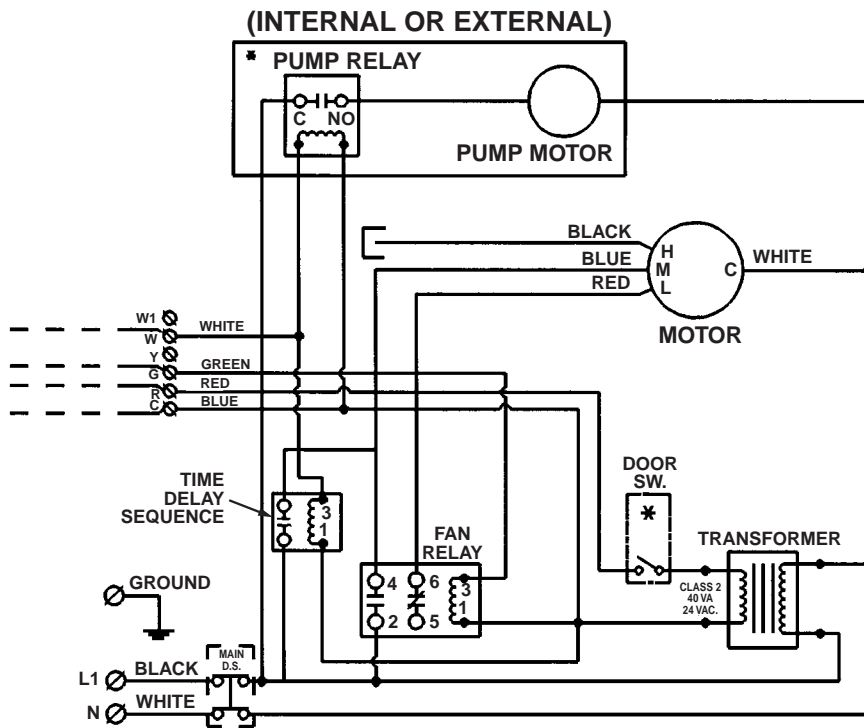
AND ARE ASSEMBLED TO ORDER FOR COMPETITIVE DELIVERY.

United Electric Co., L.P. • 501 Galveston • Wichita Falls, TX 76301 • 940-397-2100 • Fax: 940-397-2166



C. STANDARD UNIT WITH AQUA STAT ADDED

On call for heating the blower motor is delayed coming on after the hot water pump by use of an aquastat and isolation relay. This will allow hot water to be circulating through the heating coil when the blower comes on. This is a delay based solely on temperature.



D. STANDARD UNIT WITH TIME DELAY ADDED

On call for heating the blower motor is delayed coming on after the hot water pump by use of a time delay relay (sequencer). This allows hot water to be circulating when the blower comes on. This is a delay based solely on time.



MAGIC AIRE DUX SERIES FAN COILS ARE ETL

LISTED IN ACCORDANCE WITH UL 1995

AND ARE ASSEMBLED TO ORDER FOR COMPETITIVE DELIVERY.

United Electric Co., L.P. • 501 Galveston • Wichita Falls, TX 76301 • 940-397-2100 • Fax: 940-397-2166