

CODE NO.

CATALOG NO.

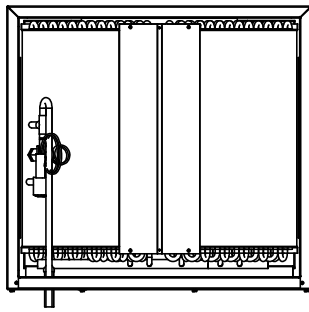
**Magic Aire**®

THIS DOCUMENT IS THE PROPERTY OF UNITED ELECTRIC CO. LP AND IS DELIVERED UPON THE EXPRESS CONDITION THAT THE CONTENTS WILL NOT BE DISCLOSED OR USED WITHOUT UNITED ELECTRIC CO. LP'S WRITTEN CONSENT.

SUBMISSION OF THESE DRAWINGS OR DOCUMENTS DOES NOT CONSTITUTE PART PERFORMANCE OR ACCEPTANCE OF CONTRACT.

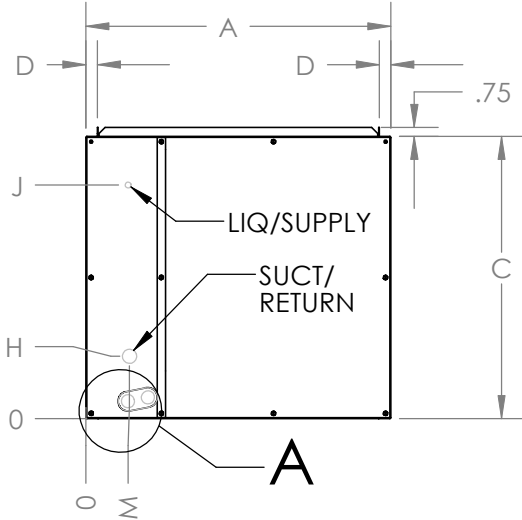
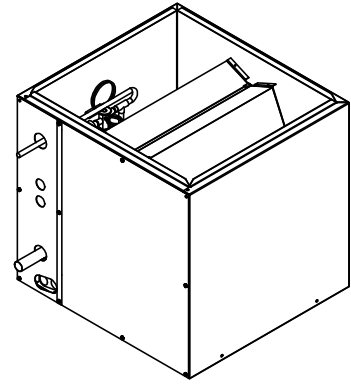
**V-SERIES  
COIL AND CABINET**

**VXE/  
VWE**

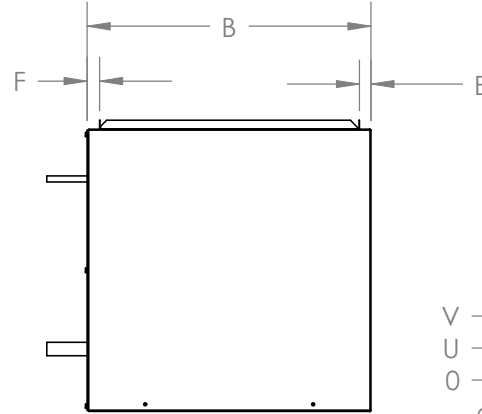


**TOP VIEW**

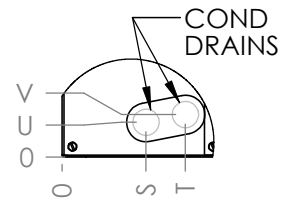
**V-SERIES COIL  
SIZES 08, 12, 16 and 20  
(2, 3, 4 and 5 Tons)**



**FRONT VIEW  
(SINGLE CIRCUIT DX OR  
HYDRONIC)**



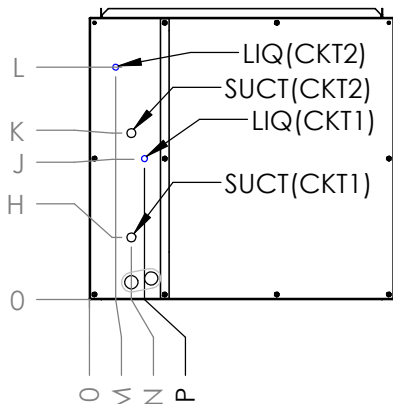
**RIGHT SIDE  
VIEW**



**DETAIL A  
SCALE 1 : 8**

| MODEL     | A    | B    | C    | D   | E   | F   |
|-----------|------|------|------|-----|-----|-----|
| V_EA08/12 | 22.5 | 23.4 | 16.0 | 1.0 | 1.0 | 1.1 |
| V_EA16    | 25.4 | 23.6 | 19.5 | 1.0 | 1.0 | 1.0 |
| V_EA20    | 25.4 | 23.7 | 23.5 | 1.0 | 1.0 | 1.0 |

| MODEL        | H   | J    | K    | L    | M   | N   | P   | S   | T   | U   | V   |
|--------------|-----|------|------|------|-----|-----|-----|-----|-----|-----|-----|
| VWE08/12     | 4.6 | 12.9 | -    | -    | 4.5 | -   | -   | 3.8 | 5.5 | 1.5 | 1.8 |
| VXE08-Single | 4.6 | 9.8  | -    | -    | 4.6 | -   | -   | 3.8 | 5.5 | 1.5 | 1.8 |
| VXE08-Dual   | 4.6 | 9.8  | 7.1  | 12.9 | 3.6 | 4.6 | 4.6 | 3.8 | 5.5 | 1.5 | 1.8 |
| VXE12-Single | 4.6 | 12.8 | -    | -    | 4.6 | -   | -   | 3.8 | 5.5 | 1.5 | 1.8 |
| VXE12-Dual   | 4.7 | 8.0  | 10.2 | 12.7 | 3.3 | 4.6 | 4.6 | 3.8 | 5.5 | 1.5 | 1.8 |
| VWEA16       | 5.2 | 16.1 | -    | -    | 4.7 | -   | -   | 3.5 | 5.2 | 1.5 | 1.8 |
| VXE16-Single | 5.2 | 16.0 | -    | -    | 4.4 | -   | -   | 3.5 | 5.2 | 1.5 | 1.8 |
| VXE16-Dual   | 5.2 | 12.4 | 11.0 | 17.4 | 3.7 | 4.4 | 5.0 | 3.5 | 5.2 | 1.5 | 1.8 |
| VWEA20       | 5.2 | 19.5 | -    | -    | 3.6 | -   | -   | 3.5 | 5.2 | 1.5 | 1.8 |
| VXE20-Single | 5.2 | 19.4 | -    | -    | 3.6 | -   | -   | 3.5 | 5.2 | 1.5 | 1.8 |
| VXE20-Dual   | 5.2 | 11.7 | 13.9 | 19.4 | 3.5 | 3.5 | 3.5 | 3.5 | 5.2 | 1.5 | 1.8 |



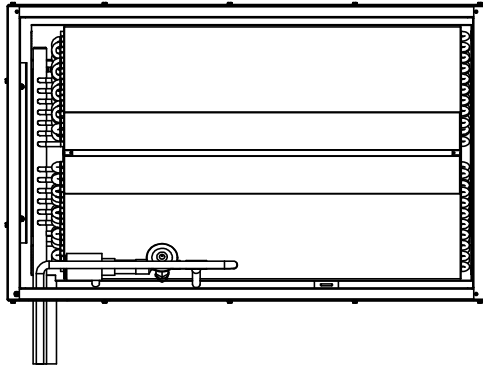
**FRONT VIEW  
(DUAL CIRCUIT DX)**

| MODEL              | CONNECTION SIZES (O.D.) |        |           |      |          |        |            |
|--------------------|-------------------------|--------|-----------|------|----------|--------|------------|
|                    | DX-CKT #1               |        | DX-CKT #2 |      | HYDRONIC |        | COND DRAIN |
|                    | LIQ                     | SUCT   | LIQ       | SUCT | SUPPLY   | RETURN |            |
| V_EA08/12 (single) | 1/2"                    | 3/4"   | -         | -    | 3/4"     | 3/4"   | 3/4" FPT   |
| VXE08/12 (dual)    | 3/8"                    | 3/4"   | 3/8"      | 3/4" | -        | -      | 3/4" FPT   |
| V_EA16 (single)    | 1/2"                    | 7/8"   | -         | -    | 7/8"     | 7/8"   | 3/4" FPT   |
| VXE16 (dual)       | 3/8"                    | 3/4"   | 3/8"      | 3/4" | -        | -      | 3/4" FPT   |
| V_EA20 (single)    | 1/2"                    | 1-1/8" | -         | -    | 1-1/8"   | 1-1/8" | 3/4" FPT   |
| VXE20 (dual)       | 1/2"                    | 3/4"   | 1/2"      | 3/4" | -        | -      | 3/4" FPT   |

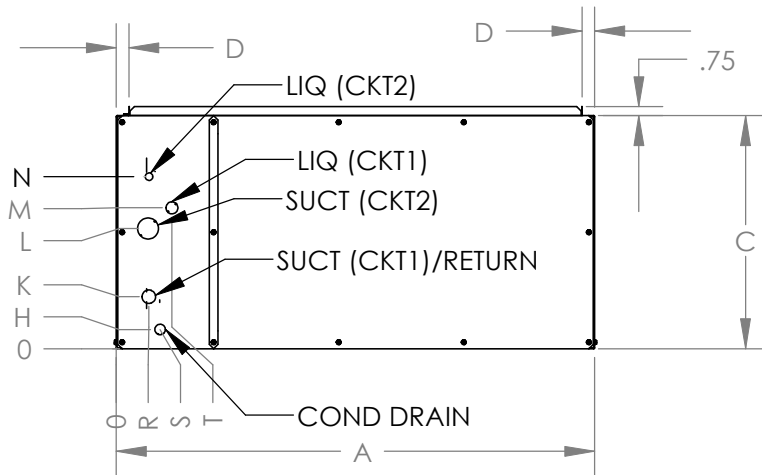
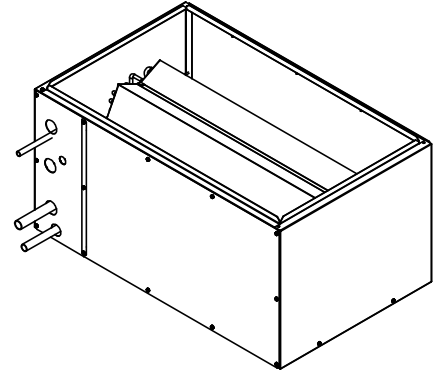
PRODUCT INFORMATION IS SUBJECT TO CHANGE WITHOUT NOTICE

|          |       |           |       |         |  |     |
|----------|-------|-----------|-------|---------|--|-----|
| JOB NAME | JOB # | LOCATION: | BUYER | BUYER # | DRAWING NO.<br><b>V-Series Submittal 2-12-10</b> | REV |
|----------|-------|-----------|-------|---------|--|-----|

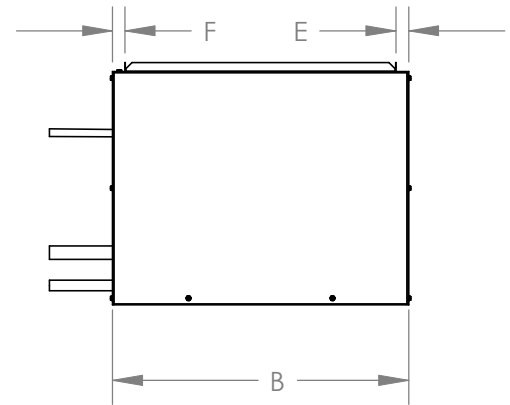
**V-SERIES COIL  
SIZES 30 AND 40  
(7.5 AND 10 TONS)**



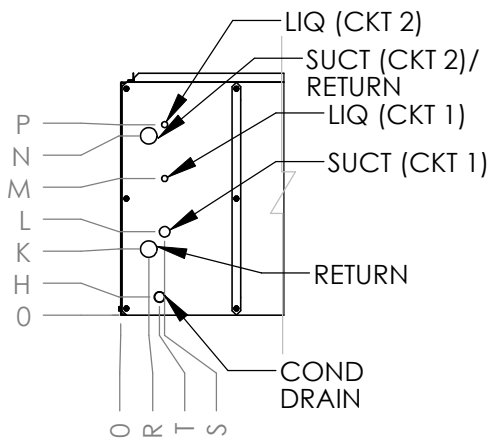
**TOP VIEW**



**FRONT VIEW**



**RIGHT SIDE VIEW**



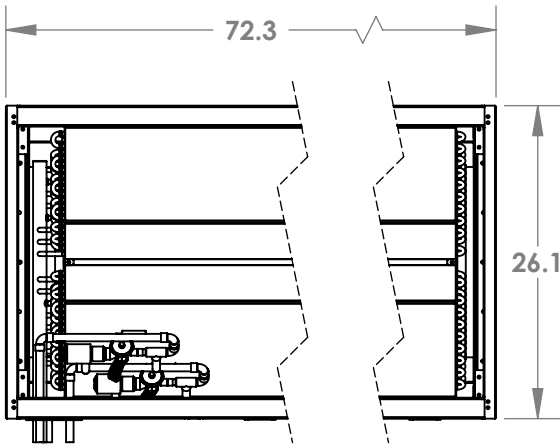
**FRONT VIEW  
(SIZE 40 ONLY)**

| MODEL  | A    | B    | C    | D   | E   | F   |
|--------|------|------|------|-----|-----|-----|
| V_EA30 | 39.9 | 24.7 | 19.4 | 1.0 | 1.1 | 1.0 |
| V_EA40 | 52.1 | 24.7 | 19.4 | 1.0 | 1.0 | 1.0 |

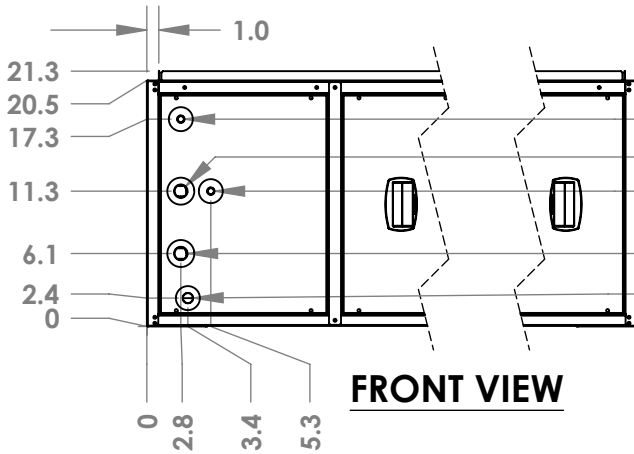
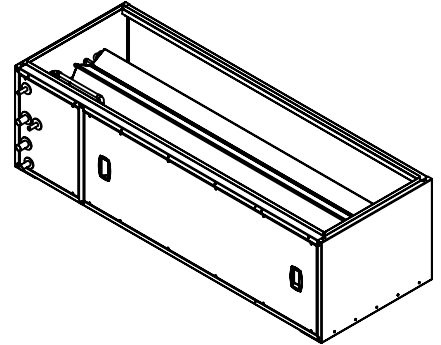
| MODEL  | H   | K   | L    | M    | N    | P    | R   | S   | T   |
|--------|-----|-----|------|------|------|------|-----|-----|-----|
| V_EA30 | 1.6 | 4.3 | 10.0 | 11.7 | 14.3 | N/A  | 1.7 | 2.7 | 3.6 |
| V_EA40 | 1.6 | 5.5 | 7.0  | 11.4 | 15.0 | 15.9 | 1.3 | 2.2 | 2.2 |

| MODEL  | CONNECTION SIZES (O.D.) |      |           |      |          |        |            |
|--------|-------------------------|------|-----------|------|----------|--------|------------|
|        | DX-CKT #1               |      | DX-CKT #2 |      | HYDRONIC |        | COND DRAIN |
|        | LIQ                     | SUCT | LIQ       | SUCT | SUPPLY   | RETURN |            |
| V_EA30 | 1/2"                    | 7/8" | 1/2"      | 7/8" | 1-1/8"   | 1-1/8" | 7/8"       |
| V_EA40 | 1/2"                    | 7/8" | 1/2"      | 7/8" | 1-1/8"   | 1-1/8" | 7/8"       |

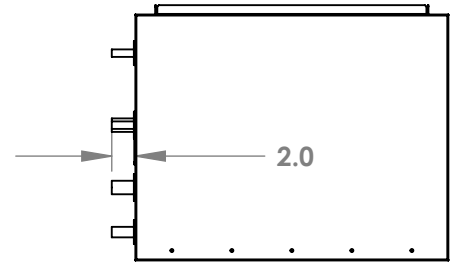
**V-SERIES COIL  
SIZE 60  
(15 TONS)**



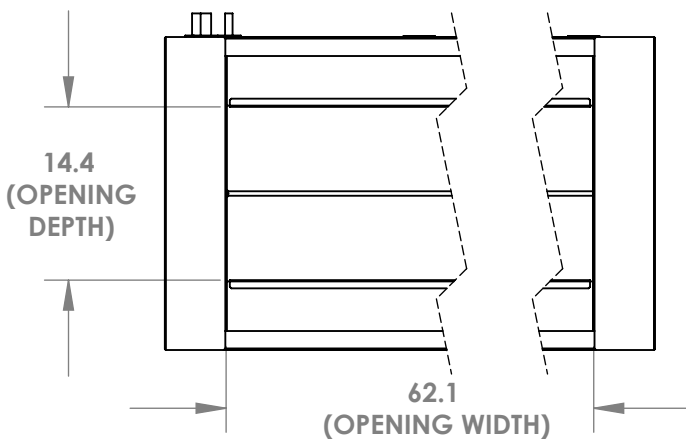
**TOP VIEW**



**FRONT VIEW**



**RIGHT SIDE VIEW**



**BOTTOM VIEW**

**NOTES:**

1. CONNECTION SIZES ARE INCHES, O.D.
2. "CKT" = DX COIL CIRCUIT.
3. "CKT1" REFERS TO FIRST CIRCUIT, BOTTOM HALVES OF FIN BLOCKS.
4. "CKT2" REFERS TO SECOND CIRCUIT, TOP HALVES OF FIN BLOCKS