



Models

LF24 US	
LF24-S US	w/built-in Aux. Switch
LF120 US	
LF120-S US	w/built-in Aux. Switch

Technical Data

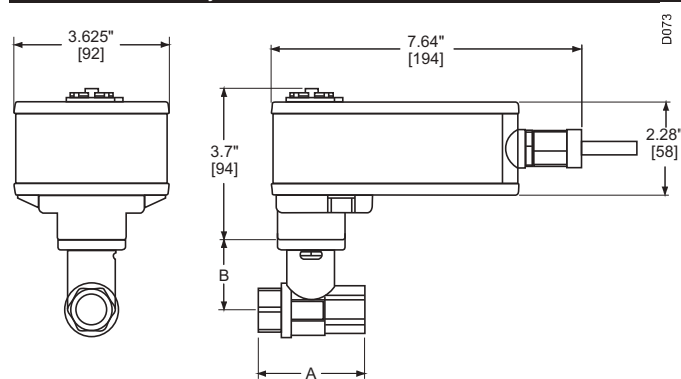
Control	On/Off, Floating
Power supply	
LF24(-S) US	24 VAC ± 20% 50/60 Hz 24 VDC ± 10%
LF120(-S) US	120 VAC ± 10% 50/60 Hz
Power consumption	
LF24(-S) US	running 5 W holding 2.5 W
LF120(-S) US	running 5.5 W holding 3.5 W
Transformer sizing	
LF24(-S) US	7 VA, class 2 power source
LF120(-S) US	7.5 VA, class 2 power source
Electrical connection	½" conduit connector
(-S models have 2 cables)	3 ft [1m], 18 GA appliance cable
Electrical protection	120V actuators double insulated
Overload protection	electronic throughout rotation
Angle of rotation	95°
Spring return direction	reversible with CW/CCW mounting
Position indication	visual indicator 0° to 90°
Running time	motor <40 to 75 sec. (on-off) spring <25 sec. @-4°F to 122°F [-20°C to 50°C] <60 sec. @-22°F [-30°C]
Ambient temperature	-22° F to 122° F [-30° C to 50° C]
Housing	NEMA 2
Agency listings†	UL 873, CSA C22.2 No. 24 certified, CE
Noise level (max)	running <30 db(A) spring return 62 db(A)
Quality standard	ISO 9001

LF...-S US

Auxiliary switch	1 x SPDT, 6A (1.5A) @ 250 VAC, UL Listed, adjustable 0° to 95° (double insulated)
------------------	---

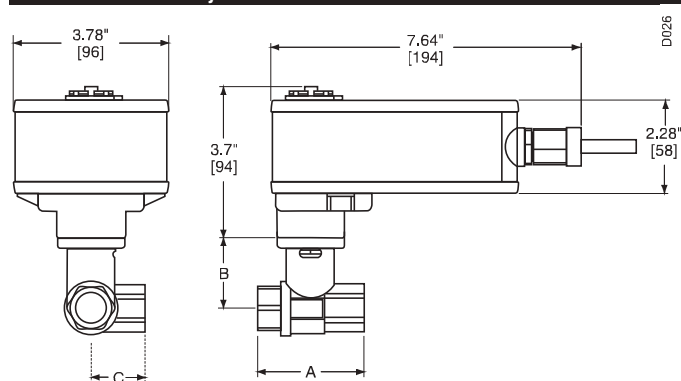
† Rated impulse voltage 800V (4kV for 120V model), Control pollution degree 3, Type of action 1.AA (1.AA.B for -S models)

Dimensions with 2-Way Valve



Valve Body	Valve Nominal Size		Dimensions (Inches [mm])	
	Inches	DN [mm]	A	B
B207(B)-B211(B)	½"	15	2.41" [61.1]	1.39" [35.2]
B212(B)-B215(B)	½"	15	2.38" [60.4]	1.72" [43.7]
B217(B)-B220(B)	¾"	20	2.73" [69.3]	1.81" [45.9]
B222-B225	1"	25	3.09" [78.4]	1.81" [45.9]
B229-B230	1¼"	32	3.72" [94.6]	1.81" [45.9]

Dimensions with 3-Way Valve




Valve Body	Valve Nominal Size		Dimensions (Inches [mm])		
	Inches	DN [mm]	A	B	C
B307(B)-B311(B)	½"	15	2.41" [61.1]	1.39" [35.2]	1.20" [30.6]
B312(B)-B315(B)	½"	15	2.38" [60.4]	1.72" [43.7]	1.26" [32.1]
B317(B)-B320(B)	¾"	20	2.73" [69.3]	1.81" [45.9]	1.45" [36.8]
B322-B325	1"	25	3.09" [78.4]	1.81" [45.9]	1.56" [39.8]


Wiring Diagrams

INSTALLATION NOTES

 Provide overload protection and disconnect as required.


 **CAUTION Equipment damage!**
Actuators may be connected in parallel.
Power consumption must be observed.

 Actuator may also be powered by 24 VDC.

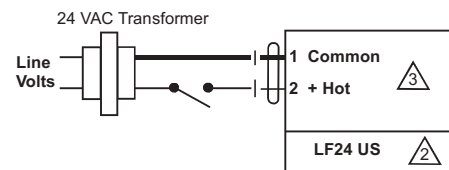
 For end position indication, interlock control, fan startup, etc.,
LF24-S US and LF120-S US incorporates a built-in auxiliary switch:
1 x SPDT, 6A (1.5A) @ 250 VAC, UL listed, adjustable 0° to 95°.

APPLICATION NOTES

 Meets cULus or UL and CSA requirements without the need of an electrical ground connection.

 **WARNING Live Electrical Components!**
During installation, testing, servicing and troubleshooting of this product, it may be necessary to work with live electrical components. Have a qualified licensed electrician or other individual who has been properly trained in handling live electrical components perform these tasks. Failure to follow all electrical safety precautions when exposed to live electrical components could result in death or serious injury.

Note:
Transformer
provided
by Others



On/Off wiring for 24 VDC

W047